

DRAWING NO.
SD015789

7

6

5

4

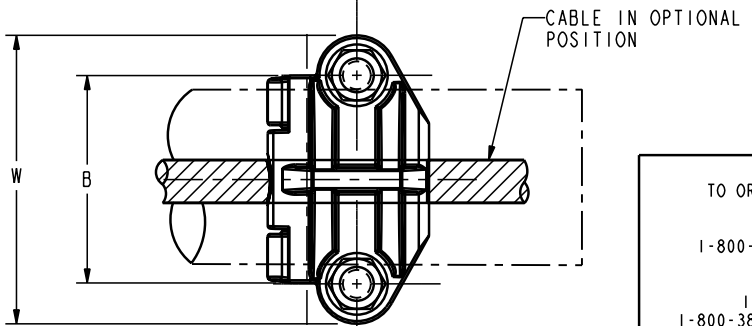
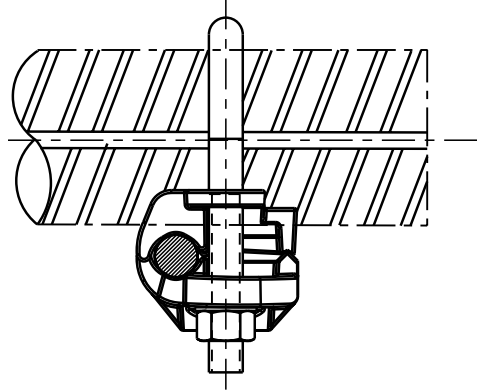
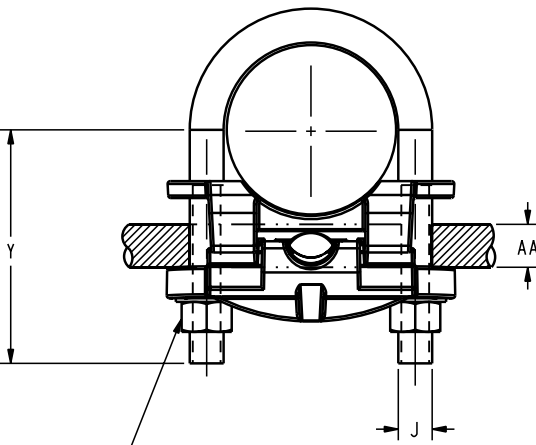
3

2

1

REV	DATE	DESCRIPTION	ECO	BY	C'H'K.
D	1/21/2009 8:16:00 AM	ADD NOTE & WITH FILE NO SHEET 1 AND SHEET 4	17131	RLB	WZ

CATALOG NUMBER	CONDUCTOR			CABLE
	TUBE I.P.S.	ROD SIZE or O.D. RANGE	REBAR SIZE	
GAR114C	1/4	1/2	--	8 SOL. - 4 STR.
GAR1126				4 SOL. - 2/0 STR.
GAR1129				2/0 SOL. - 250
GAR644C	3/8	5/8 - 3/4	#5 (5/8") - #6 (3/4")	8 SOL. - 4 STR.
GAR6426				4 SOL. - 2/0 STR.
GAR6429				2/0 SOL. - 250
GAR6434				300-500
GAR144C	1/2 - 3/4	7/8 - 1	#7 (7/8") - #8 (1")	8 SOL. - 4 STR.
GAR1426				4 SOL. - 2/0 STR.
GAR1429				2/0 SOL. - 250
GAR1434				300-500
GAR154C	1	1-1/8 - 1-1/4	#9 (1-1/8") - #10 (1-1/4")	8 SOL. - 4 STR.
GAR1526				4 SOL. - 2/0 STR.
GAR1529				2/0 SOL. - 250
GAR1534				300-500
GAR164C	1-1/4	1-3/8 - 1-1/2	#11 (1-3/8")	8 SOL. - 4 STR.
GAR1626				4 SOL. - 2/0 STR.
GAR1629				2/0 SOL. - 250
GAR1634				300-500



- NOTES:
1. MATERIAL: CAST COPPER ALLOY
 2. FINISH: BRIGHT DIPPED.
 3. UL467 LISTED FILE NO. E9999 ACCEPTABLE FOR DIRECT BURIAL IN EARTH AND CONCRETE.
 4. SEE SHEET 1 OF 4 FOR DIMENSIONS.

TO ORDER BURNDY® PRODUCTS CALL		GROUND CLAMP - CABLE TO REBAR	
UNITED STATES 1-800-346-4175 (LONDONDERRY, NH)		ITEM NO: N/A	CAT. NO: GAR-- (TABLE)
CANADA: 1-800-361-6975 (QUEBEC) 1-800-387-6487 (ALL OTHER PROVINCES)		DRAWN BY: B.K. 01/21/09	CHECKER: G.H.G. 01/21/09
FOR PRODUCT INFO: http://www.fciconnect.com		DSN APPVL: G DITROIA 12/03/08	MFG APPVL: --
		QA APPVL: A LLOYD 12/04/08	MKT APPVL: K WOO 12/04/08
		PROD FAM: --	SCALE: 1:1
		PROJECT #: --	SIZE: D
		DOCUMENT TYPE: Sales	DRAWING NO: SD015789
		REL LEVEL: Released	REV: D
			SHEET 4 OF 4

REV: PE0200

8

7

6

5

4

3

2

1