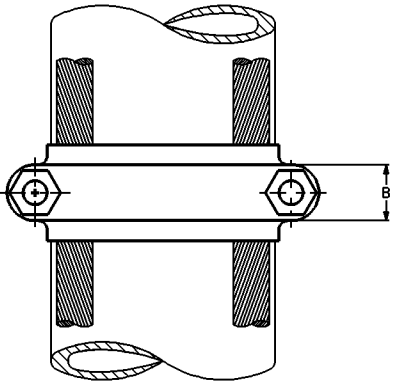
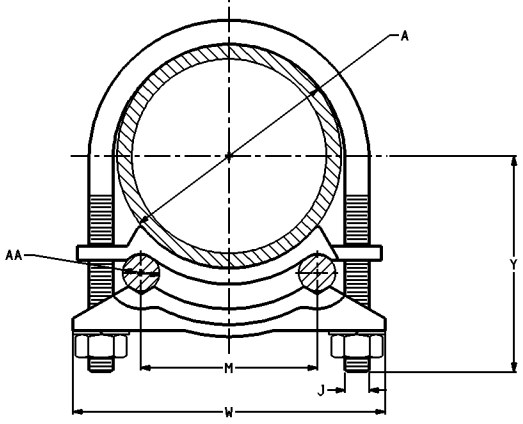


CONDUCTORS ACCOMMODATED

NOMINAL DIAMETER (IN)	I.P.S. PIPE		ROD		AA				CATALOG NUMBER	B	J	M	W	Y	"U" BOLT	TORQUE LB*IN (N*mm)	
	ACTUAL DIA.		ACTUAL DIAMETER		AWG		METRIC WIRE SIZE										
	(IN)	(MM)	(IN)	(MM)	MIN	MAX	MIN	MAX									
3"	3.500	[89]	3"	3.00	[76]	#4 SOL(.204 DIA)	2/0 STR(.416 DIA)	25mm ² STR[6.5]	50mm ² STR[9.3]	6D2026	1.50 [38]	3/8" [10]	2.75 [70]	4.81 [118]	3.38 [83]	258	240 [27.0]
3"	3.500	[89]	3"	3.00	[76]	2/0 SOL(.365 DIA)	250 kcmil(.575 DIA)	70mm ² STR[10.9]	120mm ² STR[14.4]	6D2029	1.50 [38]	3/8" [10]	2.88 [73]	4.81 [118]	3.38 [83]	258	240 [27.0]
3"	3.500	[89]	3"	3.00	[76]	300 kcmil(.630 DIA)	500 kcmil(.814 DIA)	185mm ² STR[17.8]	240mm ² STR[20.3]	6D2034	1.56 [40]	1/2" [13]	2.31 [59]	5.31 [130]	4.00 [98]	282	480 [54.1]
3"	3.500	[89]	3"	3.00	[76]	550 kcmil(.855 DIA)	750 kcmil(.998 DIA)	300mm ² STR[22.6]	400mm ² STR[26.1]	6D2039	1.88 [48]	5/8" [16]	2.31 [59]	5.31 [130]	4.13 [101]	---	660 [74.4]
3"	3.500	[89]	3"	3.00	[76]	800 kcmil(1.031 DIA)	1000 kcmil(1.152 DIA)	400mm ² STR[26.1]	500mm ² STR[28.3]	6D2044	2.00 [51]	5/8" [16]	2.31 [59]	5.31 [130]	4.25 [104]	---	660 [74.4]
3 1/2"	4.000	[102]	3 1/2"	3.50	[89]	#8 SOL(.129 DIA)	#4 STR(.232 DIA)	10mm ² SOL[2.6]	16mm ² STR[5.1]	6D214C	1.44 [37]	3/8" [10]	2.31 [59]	5.31 [130]	3.75 [92]	264	240 [27.0]
3 1/2"	4.000	[102]	3 1/2"	3.50	[89]	#4 SOL(.204 DIA)	2/0 STR(.416 DIA)	25mm ² STR[6.5]	50mm ² STR[9.3]	6D2126	1.50 [38]	3/8" [10]	2.31 [59]	5.31 [130]	3.75 [92]	264	240 [27.0]
3 1/2"	4.000	[102]	3 1/2"	3.50	[89]	2/0 SOL(.365 DIA)	250 kcmil(.575 DIA)	70mm ² STR[10.9]	120mm ² STR[14.4]	6D2129	1.50 [38]	3/8" [10]	2.31 [59]	5.31 [130]	3.75 [92]	264	240 [27.0]
3 1/2"	4.000	[102]	3 1/2"	3.50	[89]	300 kcmil(.630 DIA)	500 kcmil(.814 DIA)	185mm ² STR[17.8]	240mm ² STR[20.3]	6D2134	1.56 [40]	1/2" [13]	3.13 [80]	5.69 [139]	3.25 [80]	436	480 [54.1]
3 1/2"	4.000	[102]	3 1/2"	3.50	[89]	550 kcmil(.855 DIA)	750 kcmil(.998 DIA)	300mm ² STR[22.6]	400mm ² STR[26.1]	6D2139	1.88 [48]	5/8" [16]	2.88 [73]	6.06 [148]	4.88 [120]	373	660 [74.4]
3 1/2"	4.000	[102]	3 1/2"	3.50	[89]	800 kcmil(1.031 DIA)	1000 kcmil(1.152 DIA)	400mm ² STR[26.1]	500mm ² STR[28.3]	6D2144	2.00 [51]	5/8" [16]	2.75 [70]	6.06 [148]	4.88 [120]	373	660 [74.4]
4"	4.500	[114]	4"	4.00	[102]	#8 SOL(.129 DIA)	#4 STR(.232 DIA)	10mm ² SOL[2.6]	16mm ² STR[5.1]	6D224C	1.56 [40]	3/8" [10]	4.19 [106]	5.94 [146]	3.69 [90]	261	240 [27.0]
4"	4.500	[114]	4"	4.00	[102]	#4 SOL(.204 DIA)	2/0 STR(.416 DIA)	25mm ² STR[6.5]	50mm ² STR[9.3]	6D2226	1.63 [41]	3/8" [10]	3.75 [95]	5.81 [142]	3.69 [90]	261	240 [27.0]
4"	4.500	[114]	4"	4.00	[102]	2/0 SOL(.365 DIA)	10mm ² SOL[2.6]	70mm ² STR[10.9]	120mm ² STR[14.4]	6D2229	1.63 [41]	3/8" [10]	3.69 [94]	5.81 [142]	3.69 [90]	261	240 [27.0]
4"	4.500	[114]	4"	4.00	[102]	300 kcmil(.630 DIA)	500 kcmil(.814 DIA)	150mm ² STR[16.0]	240mm ² STR[20.3]	6D2234	1.38 [35]	1/2" [13]	3.31 [84]	6.19 [152]	4.00 [98]	262	480 [54.1]
4"	4.500	[114]	4"	4.00	[102]	550 kcmil(.855 DIA)	750 kcmil(.998 DIA)	300mm ² STR[22.6]	400mm ² STR[26.1]	6D2239	1.88 [48]	5/8" [16]	3.63 [92]	6.56 [161]	4.13 [101]	377	660 [74.4]
4"	4.500	[114]	4"	4.00	[102]	800 kcmil(1.031 DIA)	1000 kcmil(1.152 DIA)	400mm ² STR[26.1]	500mm ² STR[28.3]	6D2244	2.00 [51]	5/8" [16]	3.25 [83]	6.56 [161]	4.13 [101]	377	660 [74.4]
1/2" OR 3/4"	.840 OR 1.050	[21]OR[27]	7/8" OR 1"	.875 OR .25	[22] OR [25]	#8 SOL(.129 DIA)	#4 STR(.232 DIA)	10mm ² SOL[2.6]	16mm ² STR[5.1]	6D114C	1.13 [29]	5/8" [16]	3.25 [83]	2.38 [58]	1.75 [43]	222	660 [74.4]
6"	6.625	[168]	-	-	-	#4 SOL(.204 DIA)	2/0 STR(.416 DIA)	25mm ² STR[6.5]	50mm ² STR[9.3]	6D8626	1.63 [41]	1/2" [13]	6.03 [153]	8.19 [201]	4.31 [106]	275	480 [54.1]
-	-	-	3/4"	.75	[19]	300 kcmil(.630 DIA)	500 kcmil(.814 DIA)	150mm ² STR[16.0]	240mm ² STR[20.3]	6D6434	1.56 [40]	1/2" [13]	1.00 [25]	3.59 [88]	3.69 [90]	302	480 [54.1]



- NOTES:**
1. MATERIAL: CAST COPPER ALLOY, DURUM #6 (U-BOLT, HEX NUTS & S.P.L.W).
 2. UL 467 LISTED, FILE NO. E9999. ACCEPTABLE FOR DIRECT BURIAL.
 3. SUITABLE FOR BURIAL IN GROUND OR CONCRETE.
 4. DIMENSIONS IN BRACKETS [] ARE IN MILLIMETERS, ROUNDED OFF TO THE NEAREST MILLIMETER, UNLESS OTHERWISE NOTED, AND ARE FOR REFERENCE ONLY.

GROUND CONNECTOR

CAT NO:	GD-- (TABLE)	SCALE:	AS SHOWN	
DRAWN BY:	R PERREault	CHECKED BY:	5/24/94	
DESIGN APPR.:	G DITROIA	11/11/93	APPV.:	
S.A. APPR.:	A LLOYD	12/3/93	FIELD APPR.:	K WOO
3D FILE:	SD13775-SHT02	PH. REF.:	N/A	
MOL. REF.:		N/A		
PROJECT:		PCN 1556		
DRAWING NO.:		SD13775		
SHEET 2 OF 2		REV 0		

U.S. ELECTRICAL DIVISION
MANCHESTER, NH 03108

13	5/24/94	ADDED SHEET 2, REVISION TO GO WITH METRIC DIM'S.	RDP	KFM
REV.	DATE	DESCRIPTION	BY	C'K'D.

REV. 11/93