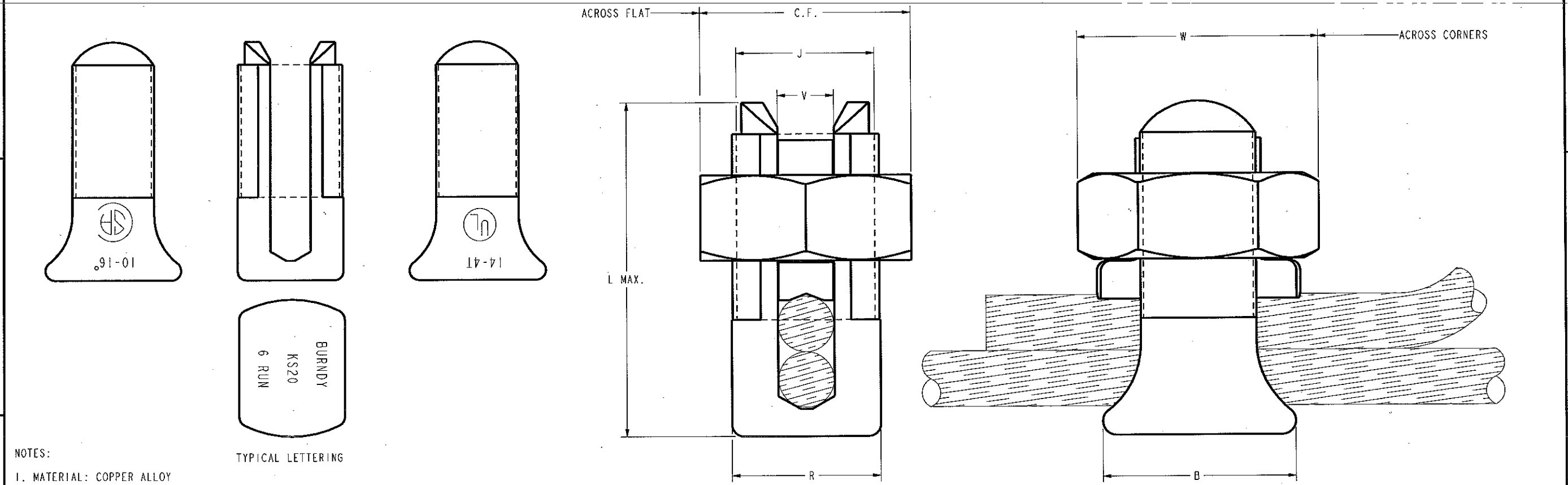


DRAWING NO.
SD078561

REV. DATE DESCRIPTION ECO. BY C.H.K.
B 11/12/08 5:36:00 AM 15847 DG MR

CATALOG NUMBER	AWG				CATALOG NUMBER	METRIC WIRE SIZE			
	RANGE FOR EQUAL RUN & TAP (COPPER)			MINIMUM TAP WITH MAXIMUM CABLE RUN		RANGE FOR EQUAL RUN & TAP (COPPER)			MINIMUM TAP WITH MAXIMUM CABLE RUN
	MAX. SOLID CONDUCTOR	MINIMUM	MAXIMUM			MAX SOLID CONDUCTOR	MINIMUM	MAXIMUM	
KS15	#8 SOL (.129)	#10 STR (.116)	#8 STR (.146)	#14 STR (.073)	KS15	10mm ² SOL [3.2]	6mm ² STR [3.3]	10mm ² STR [4.0]	2.5mm ² STR [2.2]
KS17	#6 SOL (.162)	#8 STR (.146)	#6 STR (.184)	#14 STR (.073)	KS17	16mm ² SOL [4.0]	10mm ² STR [4.0]	10mm ² STR [4.0]	2.5mm ² STR [2.2]
KS20	#4 SOL (.204)	#8 STR (.146)	#4 STR (.232)	#14 STR (.073)	KS20	-----	10mm ² STR [4.0]	16mm ² STR [5.1]	2.5mm ² STR [2.2]
KS22	#2 SOL (.258)	#6 STR (.184)	#3 STR (.260)	#14 STR (.073)	KS22	-----	16mm ² STR [5.1]	25mm ² STR [6.3]	2.5mm ² STR [2.2]
KS23	#1 SOL (.289)	#6 STR (.184)	#2 STR (.292)	#14 STR (.073)	KS23	-----	16mm ² STR [5.1]	35mm ² STR [7.5]	2.5mm ² STR [2.2]
KS25	2/0 SOL (.365)	#4 STR (.232)	1/0 STR (.373)	#14 STR (.073)	KS25	-----	25mm ² STR [6.3]	50mm ² STR [9.0]	2.5mm ² STR [2.2]
KS26	3/0 SOL (.410)	#2 STR (.292)	2/0 STR (.418)	#14 STR (.073)	KS26	-----	35mm ² STR [7.5]	70mm ² STR [10.5]	2.5mm ² STR [2.2]
KS27	4/0 SOL (.460)	#1 STR (.332)	3/0 STR (.470)	#8 SOL (.129)	KS27	-----	50mm ² STR [9.0]	95mm ² STR [12.5]	10mm ² SOL [3.2]
KS29	4/0 SOL (.460)	#1 STR (.332)	250 Kcmil (.575)	#8 STR (.146)	KS29	-----	50mm ² STR [9.0]	120mm ² STR [14.0]	10mm ² STR [4.0]
KS31	-----	1/0 STR (.373)	350 Kcmil (.681)	1/0 STR (.373)	KS31	-----	70mm ² STR [10.5]	185mm ² STR [17.5]	70mm ² STR [10.5]
KS34	-----	2/0 STR (.418)	500 Kcmil (.814)	2/0 STR (.418)	KS34	-----	70mm ² STR [10.5]	240mm ² STR [20.6]	70mm ² STR [10.5]
KS39	-----	4/0 STR (.528)	750 Kcmil (.998)	4/0 STR (.528)	KS39	-----	120mm ² STR [14.0]	300mm ² STR [22.5]	120mm ² STR [14.0]
KS44	-----	300 Kcmil (.630)	1000 Kcmil (1.152)	4/0 STR (.528)	KS44	-----	150mm ² STR [15.7]	500mm ² STR [29.1]	120mm ² STR [14.0]
KS90	#8 SOL (.129)	#12 STR (.092)	#10 STR (.116)	#16 STR (.058)	KS90	-----	4mm ² STR [2.3]	6mm ² STR [3.3]	1.5mm ² STR [1.4]



- NOTES:
1. MATERIAL: COPPER ALLOY
 2. DIMENSIONS IN BRACKET [] ARE IN MILLIMETERS ROUNDED OFF TO THE NEAREST MILLIMETER, UNLESS OTHERWISE NOTED, AND ARE FOR REFERENCE ONLY.
 3. UL 486A LISTED. FILE NO. E9498.
 4. CSA C22.2 NO. 65 LISTED. FILE NO. 42862.
 5. UL467 LISTED, FILE NO. E9999. SUITABLE FOR DIRECT BURIAL. THIS DOES NOT APPLY TO KS39 & KS44.
 6. CSA C22.2 NO.41 CERTIFIED. SUITABLE FOR DIRECT BURIAL. THIS DOES NOT APPLY TO KS39 & KS44.
 7. THIS DRAWING TO BE INTERPRETED PER ASME Y14.5M-1994.

TYPICAL LETTERING

TO ORDER BURNDY PRODUCTS CALL 1-800-346-4175
MANCHESTER, NH 03109, USA
FOR PRODUCT INFO = <http://www.fciconnect.com>

SERVIT™

ITEM NO: SEE TABLE
CAT. NO: KS-- (TABLE)
DRAWN BY: H.C. 12/05/75
CHECKER: H.C. 12/08/75
DSN APPVL: --
MFG APPVL: --
QA APPVL: --
MKT APPVL: --

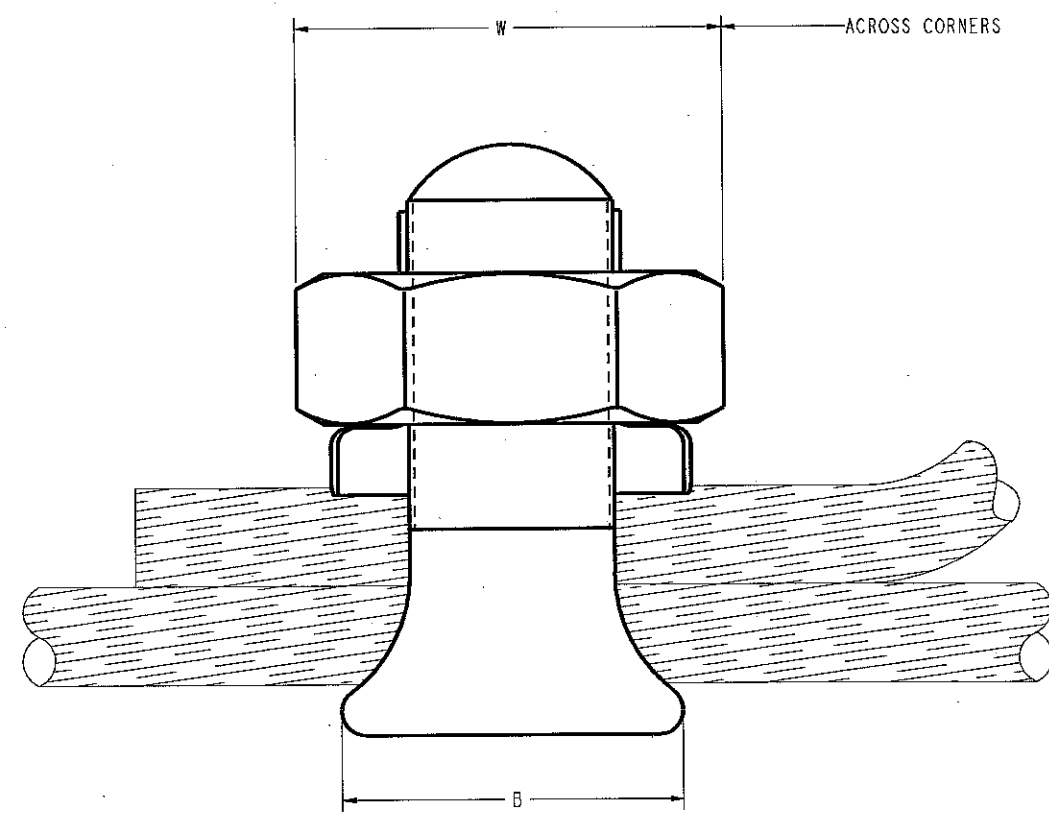
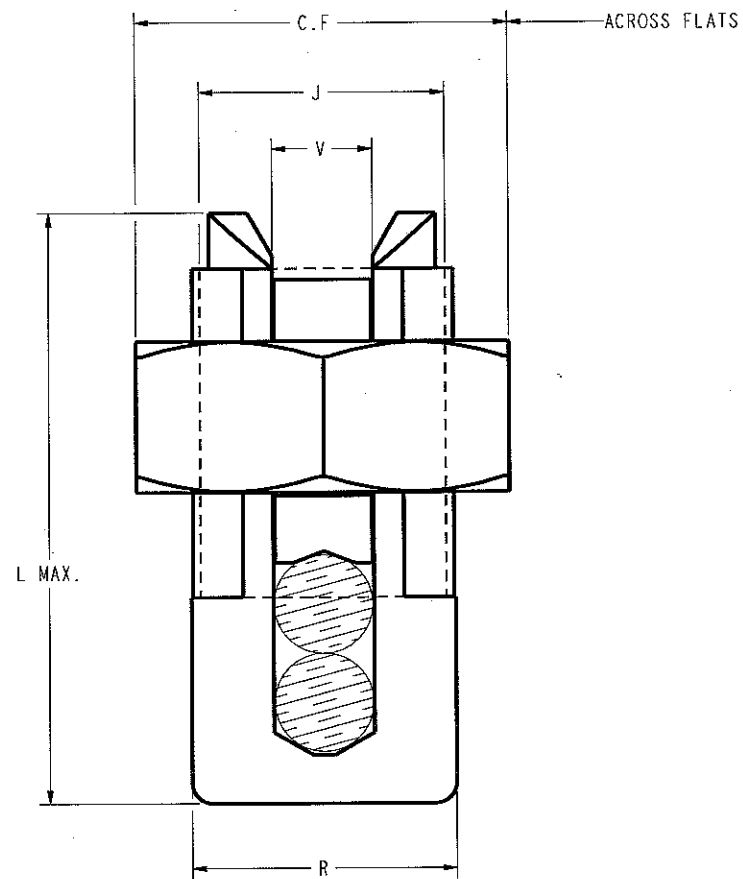
SCALE: 1:1

PROD FAM: -- DRAWING NO: SD078561
PROJECT #: -- SIZE: D
DOCUMENT TYPE: Sales
REL LEVEL: Released

SHEET 1 OF 2

BURNDY
PRODUCTS

DRAWING NO. SD078561		7		6		5		4		3		2		1	
CATALOG NUMBER	5 6	B	C.F.	J	L MAX.	R	V REF.	W REF.	REV.	DATE	DESCRIPTION	ECO	BY	C'R'K.	
									B	1/11/2008 5:30:00 AM	REVISION 11	15847	DG	MR	
KS15		.45 [11]	.50 [13]	3/8"-24NF-2	.85 [22]	.38 [10]	.14 [4]	.57 [15]							
KS17		.58 [15]	.63 [16]	7/16"-20NF-2	1.14 [30]	.45 [11]	.16 [4]	.70 [18]							
KS20		.65 [17]	.64 [18]	1/2"-20NF-2	1.20 [31]	.51 [13]	.22 [6]	.78 [20]							
KS22		.69 [18]	.75 [19]	19/32"-20NS-2	1.50 [38]	.60 [15]	.26 [7]	.84 [21]							
KS23		.72 [18]	.82 [21]	5/8"-18UNF-2	1.54 [39]	.62 [16]	.32 [8]	.92 [23]							
KS25		.81 [21]	.94 [24]	3/4"-16UNF-2	1.77 [45]	.73 [19]	.38 [10]	1.06 [27]							
KS26		.90 [23]	1.05 [27]	7/8"-14UNF-2	1.94 [49]	.82 [21]	.44 [11]	1.18 [30]							
KS27		1.00 [25]	1.36 [35]	1 1/8"-12NF-2	2.04 [52]	1.17 [30]	.55 [14]	1.56 [37]							
KS29		1.00 [25]	1.36 [35]	1 1/8"-12NF-2	2.22 [56]	1.24 [32]	.60 [15]	1.56 [37]							
KS31		1.25 [32]	1.70 [43]	1 3/8"-12UNF-2	2.60 [66]	1.41 [36]	.71 [18]	1.96 [50]							
KS34		1.31 [33]	1.82 [46]	1 7/16"-12UN-2	2.83 [72]	1.48 [38]	.85 [22]	2.10 [53]							
KS39		1.75 [45]	2.31 [59]	1 7/8"-12UN-2	3.51 [89]	1.94 [49]	1.02 [26]	2.62 [67]							
KS44		2.10 [53]	2.56 [65]	2 1/8"-12UN-2	3.90 [99]	2.19 [56]	1.17 [28]	2.91 [74]							
KS90		.45 [11]	.50 [13]	3/8"-24NF-2	.85 [22]	.38 [10]	.14 [4]	.57 [15]							



NOTES:

1. MATERIAL: COPPER ALLOY
2. DIMENSIONS IN BRACKET [] ARE IN MILLIMETERS ROUNDED OFF TO THE NEAREST MILLIMETER, UNLESS OTHERWISE NOTED, AND ARE FOR REFERENCE ONLY.
3. UL 486A LISTED. FILE NO. E9498.
4. CSA C22.2 NO. 65 LISTED. FILE NO. 42862.
5. UL467 LISTED, FILE NO. E9999. SUITABLE FOR DIRECT BURIAL. THIS DOES NOT APPLY TO KS39 & KS44.
6. CSA C22.2 NO. 41 CERTIFIED. SUITABLE FOR DIRECT BURIAL. THIS DOES NOT APPLY TO KS39 & KS44.
7. THIS DRAWING TO BE INTERPRETED PER ASME Y14.5M-1994.

TO ORDER BURNDY PRODUCTS CALL 1-800-346-4175
 MANCHESTER, NH 03109, USA
 FOR PRODUCT INFO = <http://www.fciconnect.com>
 SERVIT™

ITEM NO: SEE TABLE
 CAT. NO: KS-- (TABLE)

DRAWN BY: H.C. 12/05/75
 CHECKER: H.C. 12/08/75

DSN APPVL: --
 MFG APPVL: --
 QA APPVL: --
 MKT APPVL: --

SCALE: 1:1

PROD FAM: -- DRAWING NO: REV
 PROJECT #: -- SIZE: SD078561 B
 DOCUMENT TYPE: Sales SHEET 2 OF 2
 REL LEVEL: Released

REV: PE0200