

SD41343

CABLE SIZES ACCOMMODATED

CATALOG NO.	FIG	COPPER AND ALUMINUM (AWG.)			A.C.S.R.(AVG.)		
		RUN	TAP	MAX CABLE COMBINATION	RUN	TAP	MAX CABLE COMBINATION
KSU17	2	12 STR(.092)/12 SOL(.081)	12 STR(.092)/12 SOL(.081)	TWO 6 SOL (.162)	#8(.158 DIA)6-1	#8(.158 DIA)6-1	TWO #8(.158 DIA)6-1
KSU20	2	10 STR(.115)/10 SOL(.102)	10 STR(.115)/10 SOL(.102)	TWO 4 SOL (.204)	#6(.198 DIA)6-1	#6(.198 DIA)6-1	TWO #6(.198 DIA)6-1
KSU22	2	10 STR(.115)/10 SOL(.102)	10 STR(.115)/10 SOL(.102)	TWO 2 SOL (.258)	#6(.198 DIA)6-1	#6(.198 DIA)6-1	TWO #4(.257 DIA)7-1
KSU23	2	8 STR (.146)	8 SOL (.129)	TWO 2 STR (.291)	#3(.281 DIA)6-1	#6(.198 DIA)6-1	TWO #2(.316 DIA)6-1
KSU25	2	2 STR (.292)	10 STR (.116)	TWO 1/0 STR (.373)	#3(.281 DIA)6-1	#6(.198 DIA)6-1	TWO #1(.355 DIA)6-1
KSU26	2	2 STR (.292)	8 STR (.146)	TWO 2/0 STR (.418)	#1(.355 DIA)6-1	#6(.198 DIA)6-1	TWO 1/0(.398 DIA)5-1
KSU27	1	1 STR (.332)	8 SOL (.129)	TWO 3/0 STR (.470)	#1(.355 DIA)6-1	#8(.158 DIA)6-1	TWO 2/0(.447 DIA)5-1
KSU29	1	1 STR (.332)	8 STR (.146)	TWO 250 KCM (.575)	2/0(.447 DIA)5-1	#6(.198 DIA)6-1	TWO 4/0(.563 DIA)5-1
KSU31	1	1/0 STR (.373)	4 STR (.232)	TWO 350 KCM (.681)	3/0(.502 DIA)6-1	#4(.250 DIA)6-1	TWO 4/0(.563 DIA)5-1
KSU34	1	400 KCM (.728)	2 STR (.291)	TWO 500 KCM (.814)	336.4 KCM(.741 DIA)30-7	#2(.316 DIA)6-1	TWO 477 KCM(.814 DIA)19-1
KSU39	1	500 KCM (.813)	1/0 STR (.373)	TWO 750 KCM (.998)	477 KCM(.814 DIA)18-1	1/0(.398 DIA)6-1	TWO 655.6 KCM(1.000 DIA)24-7
KSU44	1	750 KCM (.998)	2/0 STR (.418)	TWO 1000 KCM (1.152)	655.6 KCM(1.000 DIA)24-7	2/0(.447 DIA)6-1	TWO 874.5 KCM(1.146 DIA)54-7

METRIC CABLE SIZES ACCOMMODATED

CATALOG NO.	FIG	COPPER AND ALUMINUM			A.C.S.R.		
		RUN	TAP	MAX CABLE COMBINATION	RUN	TAP	MAX CABLE COMBINATION
KSU17	2	4mm ² STR(2.7)/4mm ² SOL(2.3)	4mm ² STR(2.7)/4mm ² SOL(2.3)	TWO 10mm ² SOL(3.2)	16/2.5(5.4 DIA)6-1	16/2.5(5.4 DIA)6-1	---
KSU20	2	6mm ² STR(3.3)/6mm ² SOL(2.8)	6mm ² STR(3.3)/6mm ² SOL(2.8)	TWO 16mm ² STR(5.1)	16/2.5(5.4 DIA)6-1	16/2.5(5.4 DIA)6-1	---
KSU22	2	6mm ² STR(3.3)/6mm ² SOL(2.8)	6mm ² STR(3.3)/6mm ² SOL(2.8)	TWO 25mm ² STR(6.3)	16/2.5(5.4 DIA)6-1	16/2.5(5.4 DIA)6-1	TWO 16/2.5(5.4 DIA)6-1
KSU23	2	10mm ² STR(4.0)	10mm ² SOL(4.0)	TWO 35mm ² STR(7.5)	35/6mm ² (8.1 DIA)6-1	16/2.5(5.4 DIA)6-1	TWO 35/6(8.1 DIA)6-1
KSU25	2	35mm ² STR(7.5)	6mm ² STR(3.3)	TWO 50mm ² STR(9.0)	35/6mm ² (8.1 DIA)6-1	16/2.5(5.4 DIA)6-1	TWO 35/6(8.1 DIA)6-1
KSU26	2	35mm ² STR(7.5)	10mm ² STR(4.0)	TWO 70mm ² STR(10.5)	50/8(9.6 DIA)6-1	16/2.5(5.4 DIA)6-1	TWO 50/8(9.6 DIA)6-1
KSU27	1	50mm ² STR(9.0)	10mm ² STR(3.2)	TWO 95mm ² STR(12.5)	50/8(9.6 DIA)6-1	16/2.5(5.4 DIA)6-1	TWO 44/32(11.2 DIA)14-7
KSU29	1	50mm ² STR(9.0)	10mm ² STR(4.0)	TWO 120mm ² STR(14.0)	70/12(11.7 DIA)26-7	16/2.5(5.4 DIA)6-1	TWO 95/15(13.6 DIA)26-7
KSU31	1	70mm ² STR(10.5)	16mm ² STR(5.1)	TWO 185mm ² STR(17.5)	95/15(13.6 DIA)26-7	25/4(6.9 DIA)6-1	TWO 95/15(13.6 DIA)26-7
KSU34	1	240mm ² STR(20.6)	35mm ² STR(7.5)	TWO 240mm ² STR(20.6)	170/40(18.9 DIA)30-7	35/6(8.1 DIA)6-1	TWO 210/35(20.3 DIA)26-7
KSU39	1	240mm ² STR(20.6)	50mm ² STR(9.0)	TWO 300mm ² STR(27.5)	210/50(21.0 DIA)30-7	44/32(11.2 DIA)14-7	TWO 340/30(25.0 DIA)48-7
KSU44	1	300mm ² STR(22.5)	70mm ² STR(10.5)	TWO 500mm ² STR(29.1)	380/50(27.0 DIA)54-7	50/30(11.7 DIA)12-7	TWO 435/55(288 DIA)154-7

NOTES:

- MATERIAL: COPPER ALLOY
- FINISH: TIN PLATED
- IN KSU26, SPACER ON DWG. A-20269 IS AN ACCEPTABLE ALTERNATE. WITH THIS SPACER, MIN. RUN CONDUCTOR IS 1/0 STR (.373 DIA.).
- DIMENSIONS IN BRACKETS [] ARE IN MILLIMETERS ROUNDED OFF TO THE NEAREST MILLIMETER, UNLESS OTHERWISE NOTED, AND ARE FOR REFERENCE ONLY.
- KSU SERVITS™ ARE MANUFACTURED WITH SERRATIONS LOCATED IN THE BODY (PRESSURE BAR SERRATIONS OPTIONAL) AND SPACER.
- CONDUCTORS IN ABOVE TABLES MAY BE USED IN ANY COMBINATION PROVIDED THEY FALL WITHIN THE RANGE OF THE SIZE SERVIT™ USED. THIS SERVIT™ CAN ALSO ACCOMMODATE STEEL AND STEEL - COPPER COMPOSITE CABLE OF EQUIVALENT DIAMETERS IN ANY COMBINATION.
- SPECIAL INSTRUCTION FOR ALUMINUM CONDUCTORS: WHEN USED ON ALUMINUM CONDUCTORS, SNEAR PENETROX™ "A" OR EQUIVALENT ON THE CONDUCTOR STRANDS. SCRATCH BRUSHING THE ALUMINUM CONDUCTORS (BUT NOT THE CONNECTOR) AFTER APPLYING THE COMPOUND IS RECOMMENDED. PENETROX™ "A" MAY BE PURCHASED FROM FC-BURNODY ENG. CO.
- UL 486A LISTED, FILE NO. E9498.; COPPER CONDUCTORS ONLY.

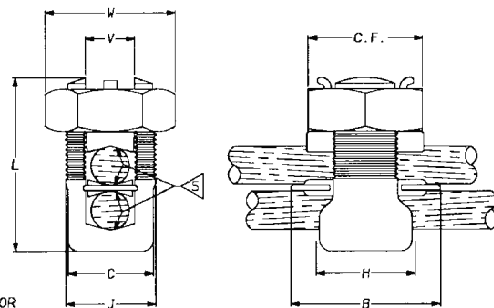


FIG. 1

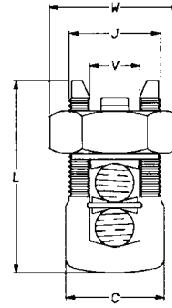
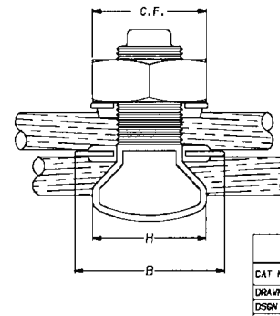
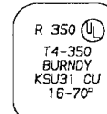


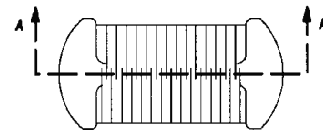
FIG. 2



VIEW OF TYPICAL SPACER USED WITH TYPICAL PRESSURE BAR AND BODY



TYPICAL LETTERING



SECTION A-A

VIEW OF TYPICAL SPACER USED WITH TYPICAL PRESSURE BAR AND BODY

SUPSEDES DRAWINGS: SD78307 5085473

UNIVERSAL SERVIT™		SCALE	A	
CAT NO.	KSU--(TABLE)	FILE SIZE		
DRAWN BY	P HARRICK	11/4/58	CHECKED BY	E R D 12/2/58
DSGN APPL.		INSTR APPL.		
D.A. APPL.		MTG APPL.		
CAD FILE	SD41343-01.9	PM REF.	N/A	
FRAMATOME CONNECTORS USA INC.	BURNDY ELECTRICAL	PM REF.	N/A	
PROJECT		DRAWING NO.	SD41343	
MANCHESTER, NH 03108	U. S. A.	SHEET	1 of 2	
1-800-246-4175			9	