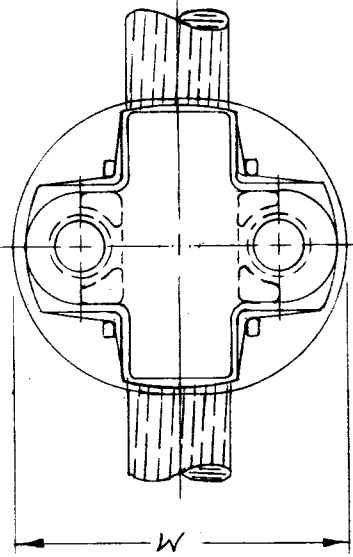


SD63282

REV.	DATE	REVISION DESCRIPTION	BY	C.K'D.
1	2-11-72	REV. REF. PRINT (ECP1518)	JDI	WAX
2	2-4-82	SEE REV. REF. PRINT (DC 10740)	CAR	AJM

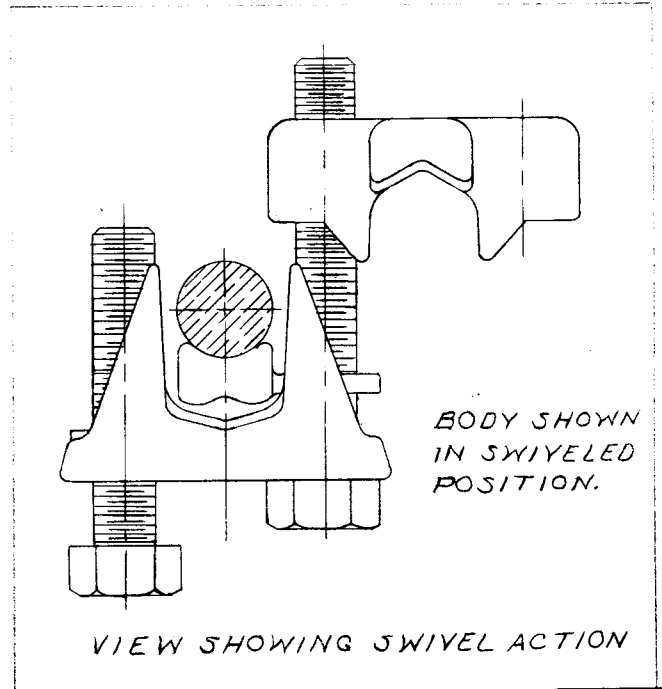
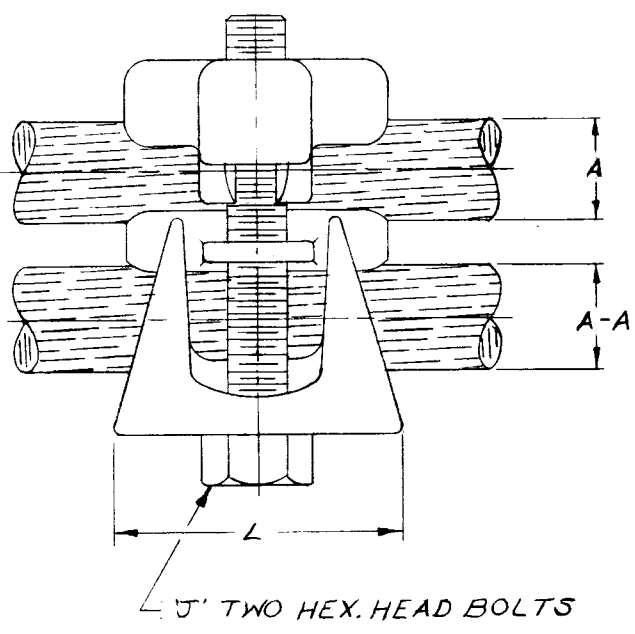
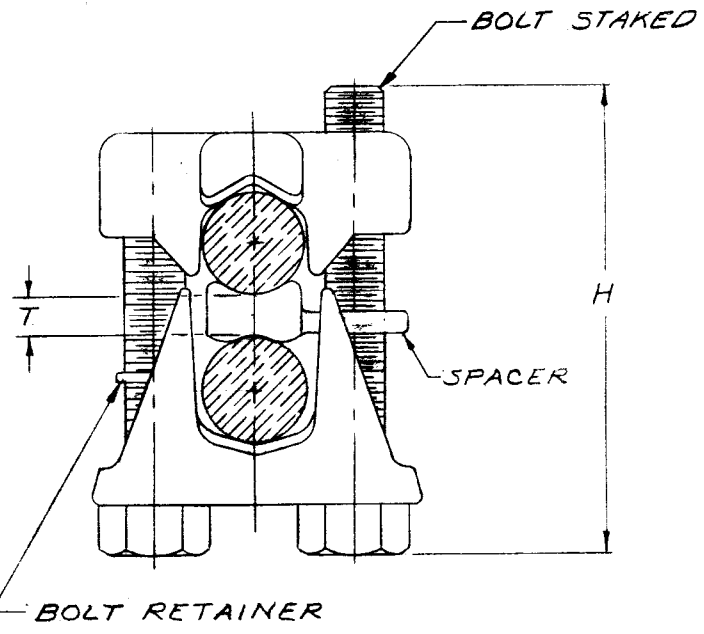
▷ RANGE OF CONDUCTORS ACCOMMODATED

CAT. NO.	COPPER CABLE		ALUMINUM CABLE, STEEL REINFORCED (A.C.S.R.)		ALL ALUMINUM CABLE	
	RUN "A"	TAP "AA"	RUN "A"	TAP "AA"	RUN "A"	TAP "AA"
KVS26A	#1 SOL (.289) - 2/0 STR (.419)	#10 STR (.116) - 2/0 STR (.419)	#4 (.257) - 2/0 (.447)	#6 (.198) - 2/0 (.447)	#2 (.292) - 2/0 (.419)	#10 (.116) - 2/0 (.419)
KVS28A	2/0 SOL (.365) - 250 MCM (.575)	#10 STR (.116) - 250 MCM (.575)	1/0 (.398) - 4/0 (.563)	#6 (.198) - 4/0 (.563)	1/0 (.373) - 4/0 (.528)	#10 (.116) - 4/0 (.528)
KVS31A	250 MCM (.575) - 350 MCM (.681)	#6 STR (.184) - 350 MCM (.681)	4/0 (.563) - 336.4 MCM (.721)	#6 (.198) - 336.4 MCM (.721)	250 MCM (.575) - 350 MCM (.681)	#6 (.184) - 350 MCM (.681)
KVS34A	400 MCM (.728) - 500 MCM (.813)	#5 STR (.206) - 500 MCM (.813)	336.4 MCM (.741) - 397.5 MCM (.783)	#5 (.223) - 397.5 MCM (.783)	400 MCM (.728) - 500 MCM (.813)	#4 (.232) - 500 MCM (.813)
KVS40A	400 MCM (.728) - 800 MCM (1.031)	3/0 STR (.470) - 800 MCM (1.031)	336.4 MCM (.741) - 715.5 MCM (1.036)	3/0 (.502) - 715.5 MCM (1.036)	400 MCM (.728) - 800 MCM (1.031)	3/0 (.470) - 800 MCM (1.031)
KVS44A	500 MCM (.813) - 1000 MCM (1.152)	3/0 STR (.470) - 1000 MCM (1.152)	397.5 MCM (.806) - 900 MCM (1.162)	3/0 (.502) - 900 MCM (1.162)	500 MCM (.813) - 1000 MCM (1.152)	3/0 (.470) - 1000 MCM (1.152)



MIN. RUN DIA. "A"	MIN. TAP DIA. "AA"	MAX. RUN & TAP DIA.	CAT. NO.	H	J	L	T	W
.257	.116	.447	KVS26A	2.22	.312	1.22	.31	1.59
.365	.116	.575	KVS28A	3.00	.375	1.62	.28	2.06
.565	.184	.721	KVS31A	3.06	.500	1.91	.25	2.41
.728	.206	.813	KVS34A	3.56	.500	2.28	.28	2.62
.728	.470	1.036	KVS40A	4.06	.500	2.44	.28	2.84
.806	.470	1.162	KVS44A	4.90	.625	2.50	.31	3.12

NOTES:
 ▷ IN ADDITION TO TYPES OF CONDUCTORS SHOWN ABOVE, THESE CONNECTORS CAN ACCOMMODATE ACSR CONDUCTORS OVER ARMOR ROD WITHIN THE DIAMETER RANGE INDICATED.
 2) PREFERRED DESIGN, FOR ALTERNATE DESIGN SEE SD25465.



REFERENCE: FA6 3062

MATERIAL: CAST ALUM. ALLOY

PENETROX NOTE
 (FOR ALUM. CONDUCTOR ONLY)
 SCRATCH BRUSH CONDUCTOR AND CONNECTOR CONTACT SURFACE DRY, THEN APPLY 'PENETROX A'. 'PENETROX A' CAN BE PURCHASED FROM BURNDY CORP. IN CANS OR PLASTIC SQUEEZE BOTTLES.
 CONTACT SURFACE PROTECTED BY FACTORY COATING OF A CORROSION INHIBITING COMPOUND.

OKLIP - ALUM.
 CAT. NO. KYS-A (TABLE)
 DRAWN 2-20-67 MMH
 CHECKED MJM 2-22-67
 DES. APPROV. WFS 2-25-67
BURNDY
 Corporation
 NORWALK, CONNECT.
 DRAWING NO. SD63282
 REV. 2
 SCALE 1" = 1"

SD63282