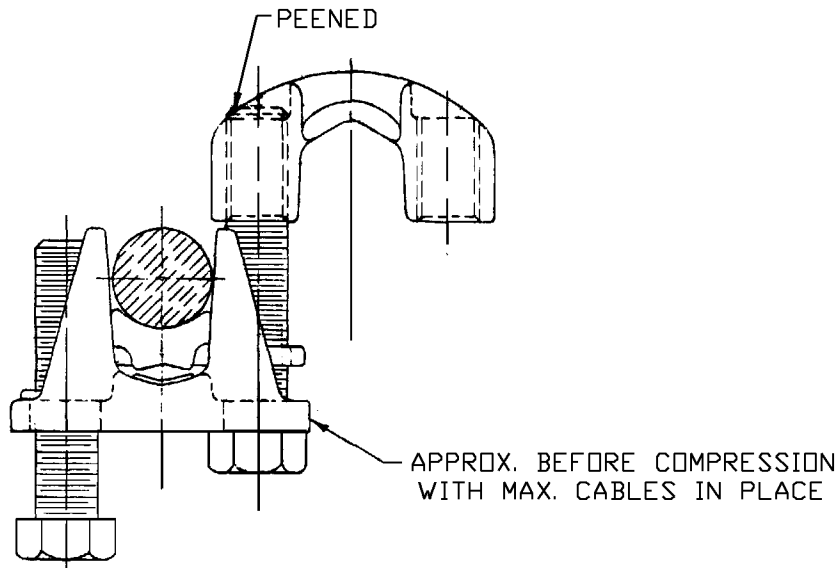


VIEW SHOWING SWIVEL ACTION



CONDUCTOR RANGE										
MIN. RUN	MIN. TAP	MAX. RUN & TAP	CAT. NO.	H	J	L	T	W	REV.	
#2 STR. (.292 DIA.)	#6 SOL. (.162 DIA.)	2/0 STR. (.418 DIA.)	KVSW26	1.76	.31	1.04	.12	1.56	12	
1/0 STR. (.373 DIA.)	#6 SOL. (.162 DIA.)	4/0 STR. (.528 DIA.)	KVSW28	2.50	.38	1.04	.28	1.67	10	
250 MCM (.575 DIA.)	#4 SOL. (.204 DIA.)	350 MCM (.681 DIA.)	KVSW31	2.80	.50	1.62	.25	2.25	10	
400 MCM (.728 DIA.)	#4 STR. (.232 DIA.)	500 MCM (.813 DIA.)	KVSW34	3.06	.50	1.34	.28	2.20	10	
400 MCM (.728 DIA.)	4/0 STR. (.528 DIA.)	800 MCM (1.031 DIA.)	KVSW40	3.47	.50	2.31	.28	2.72	11	
500 MCM (.813 DIA.)	250 MCM (.575 DIA.)	1000 MCM (1.152 DIA.)	KVSW44	4.14	.62	2.56	.31	3.09	10	

MATERIAL:-
CAST COPPER ALLOY

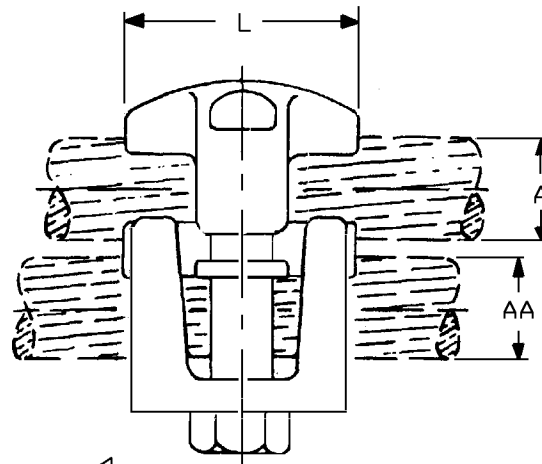
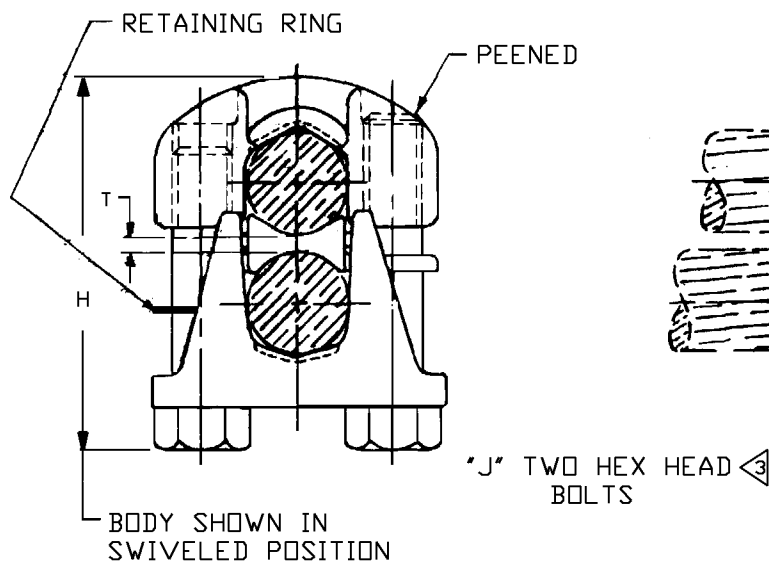
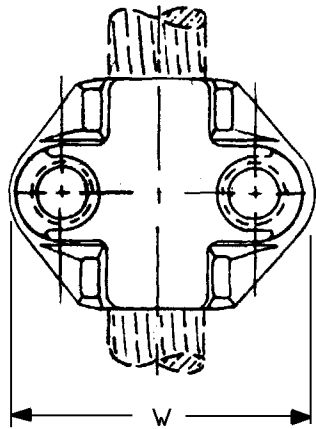
REFERENCE:-
FD26217

NOTES:

1 KVSW28 AND KVSW34 ONLY HAVE NO SERRATIONS.

	RUN	MIN. TAP
800 - 650 MCM	_____	4/0
600 MCM	_____	250 MCM
500 MCM	_____	350 MCM
450 MCM	_____	450 MCM
400 MCM	_____	500 MCM

3 STANDARD BOLT MATERIAL IS DURIUM (SILICON BRONZE) OPTIONAL, SAME SIZE, 18-8 STAINLESS STEEL AND GALVANIZED STEEL BOLTS ARE ALSO AVAILABLE. SPECIFY -SS OR -GS RESPECTIVELY, ON END OF CATALOG NUMBER FOR OPTIONAL BOLTS.



REV.	DATE	REVISION DESCRIPTION	BY	CHK'D.	
17	9-20-81	ADDED NOTE 3 (D.C. 2027B)	JEL	KH	SUPERSEDES:- SD9323-9
16	8-31-88	SEE REV. REF. PRINT (ECP4632)	WS	H.C.	SERVICE CONNECTOR
15	2-4-82	2/0 STR, 500 MCM WAS .418, B14 (DC10740)	CA/L	AM	
14	2-5-70	REFERENCES TO SUPPLIERS REMOVED (D.C. 6127)	JRH	JPS	SCALE
13	2-5-65	REV. REF. PRINT (E.C. 31073)	T.E.D.	MJM	DRAWN 4-2-52 W.K.
12	6-3-63	NOTE 3 ADDED (E.C. 17571)	T.A.L.	ERD	CHECKED 4-5-52 C.H. JR.
11	5-17-62	NOTE 2 ADDED APP. M.B. (E.C. 17234)	JAA	ERD	BURNDY Corporation
10	4-28-61	REPRODUCED WITHOUT CHANGE PER A.K.	JAA	ERD	
					SD9323
					17
					NORWALK, CONNECT.