

TYPICAL LETTERING AS SHOWN.

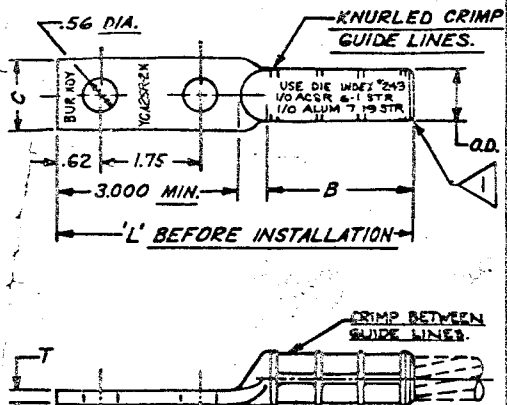


FIG. 1

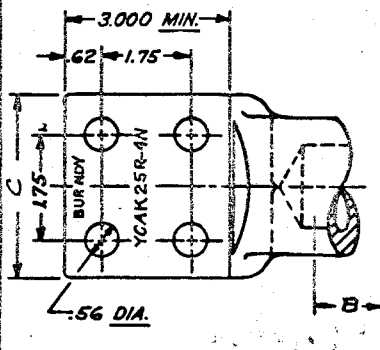


FIG. 2

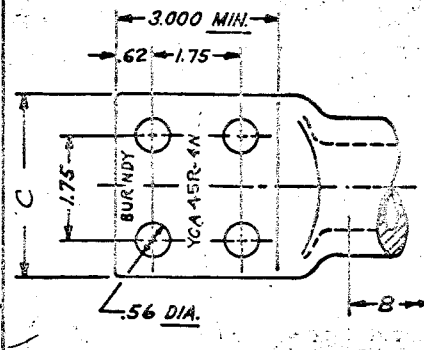


FIG. 3

MATERIAL: ALUMINUM FIG. 1 & 3 - TUBE FIG. 2 - CAST REFERENCE: SD45884

NOTES: 1 BARRELS PARTIALLY FILLED WITH 'PENETROX' & SEALED. 2 TONGUE COATED WITH AN OXIDE RETARDANT. 3 CAST CONNECTOR 4 FLAT SIDED BARREL 5 CRIMPS WILL OVERLAP WHEN USING Y48B, Y436RB, HYPRESSES. 6 HYTOOLS MD5-3, MD5-4, MD5-7, MD5-9, MD5-12 CRIMPS OVERLAP

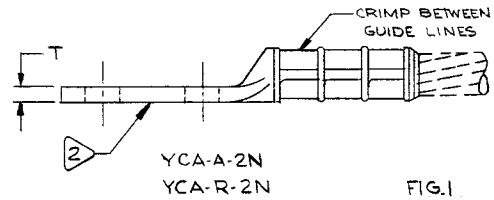
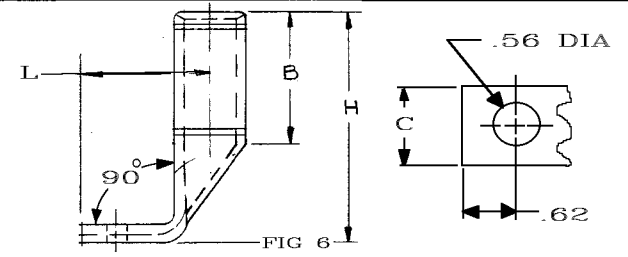
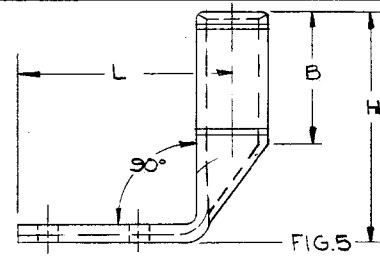
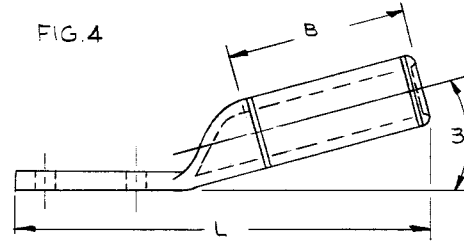
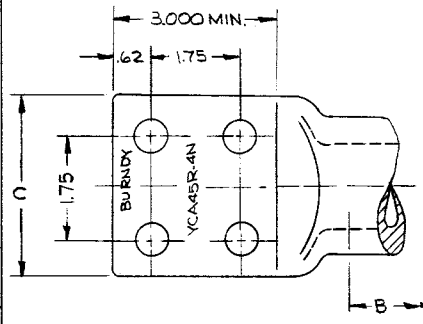
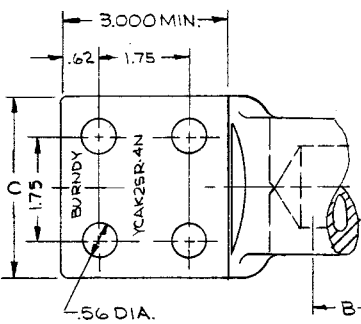
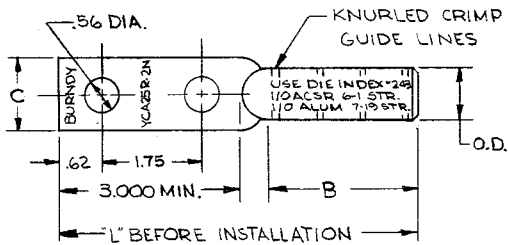
Table with columns: CONDUCTOR RANGE (ACSR, ALUM), FIG. NO., CATALOG NUMBER, B, C, L, O.D., T, TOOL INDEX NO., INSTALLATION DATA (HYTOOL WITH NO. OF CRIMPS, HYPRESS & DIE SET WITH NO. OF CRIMPS), SEE NOTE NO., REFERENCE, REV.

150 SHEET 2 AFFECTED 1094 SHEET 2 AFFECTED 989 SHEET 2 AFFECTED 722 SHEET 2 AFFECTED 435 SHEET 2 AFFECTED 343 SHEET 2 AFFECTED 336 SHEET 2 AFFECTED 311 SHEET 2 AFFECTED 307 SHEET 2 AFFECTED 299 SHEET 2 AFFECTED 297 SHEET 2 AFFECTED 295 SHEET 2 AFFECTED 294 SHEET 2 AFFECTED 293 SHEET 2 AFFECTED 292 SHEET 2 AFFECTED 291 SHEET 2 AFFECTED 290 SHEET 2 AFFECTED 289 SHEET 2 AFFECTED 288 SHEET 2 AFFECTED 287 SHEET 2 AFFECTED 286 SHEET 2 AFFECTED 285 SHEET 2 AFFECTED 284 SHEET 2 AFFECTED 283 SHEET 2 AFFECTED 282 SHEET 2 AFFECTED 281 SHEET 2 AFFECTED 280 SHEET 2 AFFECTED 279 SHEET 2 AFFECTED 278 SHEET 2 AFFECTED 277 SHEET 2 AFFECTED 276 SHEET 2 AFFECTED 275 SHEET 2 AFFECTED 274 SHEET 2 AFFECTED 273 SHEET 2 AFFECTED 272 SHEET 2 AFFECTED 271 SHEET 2 AFFECTED 270 SHEET 2 AFFECTED 269 SHEET 2 AFFECTED 268 SHEET 2 AFFECTED 267 SHEET 2 AFFECTED 266 SHEET 2 AFFECTED 265 SHEET 2 AFFECTED 264 SHEET 2 AFFECTED 263 SHEET 2 AFFECTED 262 SHEET 2 AFFECTED 261 SHEET 2 AFFECTED 260 SHEET 2 AFFECTED 259 SHEET 2 AFFECTED 258 SHEET 2 AFFECTED 257 SHEET 2 AFFECTED 256 SHEET 2 AFFECTED 255 SHEET 2 AFFECTED 254 SHEET 2 AFFECTED 253 SHEET 2 AFFECTED 252 SHEET 2 AFFECTED 251 SHEET 2 AFFECTED 250 SHEET 2 AFFECTED 249 SHEET 2 AFFECTED 248 SHEET 2 AFFECTED 247 SHEET 2 AFFECTED 246 SHEET 2 AFFECTED 245 SHEET 2 AFFECTED 244 SHEET 2 AFFECTED 243 SHEET 2 AFFECTED 242 SHEET 2 AFFECTED 241 SHEET 2 AFFECTED 240 SHEET 2 AFFECTED 239 SHEET 2 AFFECTED 238 SHEET 2 AFFECTED 237 SHEET 2 AFFECTED 236 SHEET 2 AFFECTED 235 SHEET 2 AFFECTED 234 SHEET 2 AFFECTED 233 SHEET 2 AFFECTED 232 SHEET 2 AFFECTED 231 SHEET 2 AFFECTED 230 SHEET 2 AFFECTED 229 SHEET 2 AFFECTED 228 SHEET 2 AFFECTED 227 SHEET 2 AFFECTED 226 SHEET 2 AFFECTED 225 SHEET 2 AFFECTED 224 SHEET 2 AFFECTED 223 SHEET 2 AFFECTED 222 SHEET 2 AFFECTED 221 SHEET 2 AFFECTED 220 SHEET 2 AFFECTED 219 SHEET 2 AFFECTED 218 SHEET 2 AFFECTED 217 SHEET 2 AFFECTED 216 SHEET 2 AFFECTED 215 SHEET 2 AFFECTED 214 SHEET 2 AFFECTED 213 SHEET 2 AFFECTED 212 SHEET 2 AFFECTED 211 SHEET 2 AFFECTED 210 SHEET 2 AFFECTED 209 SHEET 2 AFFECTED 208 SHEET 2 AFFECTED 207 SHEET 2 AFFECTED 206 SHEET 2 AFFECTED 205 SHEET 2 AFFECTED 204 SHEET 2 AFFECTED 203 SHEET 2 AFFECTED 202 SHEET 2 AFFECTED 201 SHEET 2 AFFECTED 200 SHEET 2 AFFECTED 199 SHEET 2 AFFECTED 198 SHEET 2 AFFECTED 197 SHEET 2 AFFECTED 196 SHEET 2 AFFECTED 195 SHEET 2 AFFECTED 194 SHEET 2 AFFECTED 193 SHEET 2 AFFECTED 192 SHEET 2 AFFECTED 191 SHEET 2 AFFECTED 190 SHEET 2 AFFECTED 189 SHEET 2 AFFECTED 188 SHEET 2 AFFECTED 187 SHEET 2 AFFECTED 186 SHEET 2 AFFECTED 185 SHEET 2 AFFECTED 184 SHEET 2 AFFECTED 183 SHEET 2 AFFECTED 182 SHEET 2 AFFECTED 181 SHEET 2 AFFECTED 180 SHEET 2 AFFECTED 179 SHEET 2 AFFECTED 178 SHEET 2 AFFECTED 177 SHEET 2 AFFECTED 176 SHEET 2 AFFECTED 175 SHEET 2 AFFECTED 174 SHEET 2 AFFECTED 173 SHEET 2 AFFECTED 172 SHEET 2 AFFECTED 171 SHEET 2 AFFECTED 170 SHEET 2 AFFECTED 169 SHEET 2 AFFECTED 168 SHEET 2 AFFECTED 167 SHEET 2 AFFECTED 166 SHEET 2 AFFECTED 165 SHEET 2 AFFECTED 164 SHEET 2 AFFECTED 163 SHEET 2 AFFECTED 162 SHEET 2 AFFECTED 161 SHEET 2 AFFECTED 160 SHEET 2 AFFECTED 159 SHEET 2 AFFECTED 158 SHEET 2 AFFECTED 157 SHEET 2 AFFECTED 156 SHEET 2 AFFECTED 155 SHEET 2 AFFECTED 154 SHEET 2 AFFECTED 153 SHEET 2 AFFECTED 152 SHEET 2 AFFECTED 151 SHEET 2 AFFECTED 150 SHEET 2 AFFECTED 149 SHEET 2 AFFECTED 148 SHEET 2 AFFECTED 147 SHEET 2 AFFECTED 146 SHEET 2 AFFECTED 145 SHEET 2 AFFECTED 144 SHEET 2 AFFECTED 143 SHEET 2 AFFECTED 142 SHEET 2 AFFECTED 141 SHEET 2 AFFECTED 140 SHEET 2 AFFECTED 139 SHEET 2 AFFECTED 138 SHEET 2 AFFECTED 137 SHEET 2 AFFECTED 136 SHEET 2 AFFECTED 135 SHEET 2 AFFECTED 134 SHEET 2 AFFECTED 133 SHEET 2 AFFECTED 132 SHEET 2 AFFECTED 131 SHEET 2 AFFECTED 130 SHEET 2 AFFECTED 129 SHEET 2 AFFECTED 128 SHEET 2 AFFECTED 127 SHEET 2 AFFECTED 126 SHEET 2 AFFECTED 125 SHEET 2 AFFECTED 124 SHEET 2 AFFECTED 123 SHEET 2 AFFECTED 122 SHEET 2 AFFECTED 121 SHEET 2 AFFECTED 120 SHEET 2 AFFECTED 119 SHEET 2 AFFECTED 118 SHEET 2 AFFECTED 117 SHEET 2 AFFECTED 116 SHEET 2 AFFECTED 115 SHEET 2 AFFECTED 114 SHEET 2 AFFECTED 113 SHEET 2 AFFECTED 112 SHEET 2 AFFECTED 111 SHEET 2 AFFECTED 110 SHEET 2 AFFECTED 109 SHEET 2 AFFECTED 108 SHEET 2 AFFECTED 107 SHEET 2 AFFECTED 106 SHEET 2 AFFECTED 105 SHEET 2 AFFECTED 104 SHEET 2 AFFECTED 103 SHEET 2 AFFECTED 102 SHEET 2 AFFECTED 101 SHEET 2 AFFECTED 100 SHEET 2 AFFECTED 99 SHEET 2 AFFECTED 98 SHEET 2 AFFECTED 97 SHEET 2 AFFECTED 96 SHEET 2 AFFECTED 95 SHEET 2 AFFECTED 94 SHEET 2 AFFECTED 93 SHEET 2 AFFECTED 92 SHEET 2 AFFECTED 91 SHEET 2 AFFECTED 90 SHEET 2 AFFECTED 89 SHEET 2 AFFECTED 88 SHEET 2 AFFECTED 87 SHEET 2 AFFECTED 86 SHEET 2 AFFECTED 85 SHEET 2 AFFECTED 84 SHEET 2 AFFECTED 83 SHEET 2 AFFECTED 82 SHEET 2 AFFECTED 81 SHEET 2 AFFECTED 80 SHEET 2 AFFECTED 79 SHEET 2 AFFECTED 78 SHEET 2 AFFECTED 77 SHEET 2 AFFECTED 76 SHEET 2 AFFECTED 75 SHEET 2 AFFECTED 74 SHEET 2 AFFECTED 73 SHEET 2 AFFECTED 72 SHEET 2 AFFECTED 71 SHEET 2 AFFECTED 70 SHEET 2 AFFECTED 69 SHEET 2 AFFECTED 68 SHEET 2 AFFECTED 67 SHEET 2 AFFECTED 66 SHEET 2 AFFECTED 65 SHEET 2 AFFECTED 64 SHEET 2 AFFECTED 63 SHEET 2 AFFECTED 62 SHEET 2 AFFECTED 61 SHEET 2 AFFECTED 60 SHEET 2 AFFECTED 59 SHEET 2 AFFECTED 58 SHEET 2 AFFECTED 57 SHEET 2 AFFECTED 56 SHEET 2 AFFECTED 55 SHEET 2 AFFECTED 54 SHEET 2 AFFECTED 53 SHEET 2 AFFECTED 52 SHEET 2 AFFECTED 51 SHEET 2 AFFECTED 50 SHEET 2 AFFECTED 49 SHEET 2 AFFECTED 48 SHEET 2 AFFECTED 47 SHEET 2 AFFECTED 46 SHEET 2 AFFECTED 45 SHEET 2 AFFECTED 44 SHEET 2 AFFECTED 43 SHEET 2 AFFECTED 42 SHEET 2 AFFECTED 41 SHEET 2 AFFECTED 40 SHEET 2 AFFECTED 39 SHEET 2 AFFECTED 38 SHEET 2 AFFECTED 37 SHEET 2 AFFECTED 36 SHEET 2 AFFECTED 35 SHEET 2 AFFECTED 34 SHEET 2 AFFECTED 33 SHEET 2 AFFECTED 32 SHEET 2 AFFECTED 31 SHEET 2 AFFECTED 30 SHEET 2 AFFECTED 29 SHEET 2 AFFECTED 28 SHEET 2 AFFECTED 27 SHEET 2 AFFECTED 26 SHEET 2 AFFECTED 25 SHEET 2 AFFECTED 24 SHEET 2 AFFECTED 23 SHEET 2 AFFECTED 22 SHEET 2 AFFECTED 21 SHEET 2 AFFECTED 20 SHEET 2 AFFECTED 19 SHEET 2 AFFECTED 18 SHEET 2 AFFECTED 17 SHEET 2 AFFECTED 16 SHEET 2 AFFECTED 15 SHEET 2 AFFECTED 14 SHEET 2 AFFECTED 13 SHEET 2 AFFECTED 12 SHEET 2 AFFECTED 11 SHEET 2 AFFECTED 10 SHEET 2 AFFECTED 9 SHEET 2 AFFECTED 8 SHEET 2 AFFECTED 7 SHEET 2 AFFECTED 6 SHEET 2 AFFECTED 5 SHEET 2 AFFECTED 4 SHEET 2 AFFECTED 3 SHEET 2 AFFECTED 2 SHEET 2 AFFECTED 1 SHEET 2 AFFECTED

HYLUG (ACSR & ALUM) NEMA CAT. NO. YCA-A-2N, 4N; YCAK-A-4N SCALE 1:1 DRAWN 7-14-61 B.L.C. CHECKED 7-26-61 BURNDY Corporation NORWALK, CONNECT. SD29515 (SHEET 1 OF 1)

REV.	DATE	REVISION DESCRIPTION	BY	C'KD.
69	3/13/92	ADDED YCA321RN90 (D.O. 52285)	JG	KH

TYPICAL LETTERING AS SHOWN



YCAK-A-4N
YCAK-R-4N

FIG. 2

YCA-A-4N
YCA-R-4N

FIG. 3

FIG. 5

FIG. 6

CONDUCTOR RANGE				FIG. NO.	CATALOG NUMBER	B	C	H	L APPROX.	O.D.	T	TOOL INDEX NO.	INSTALLATION DATA												SEE NOTE NO.	REFERENCE	REV.									
ACSR		ALUM											HYTOOL WITH NO. OF CRIMPS						HYPRESS AND DIE SET WITH NO. OF CRIMPS																	
AWG. MCM	STR.	AWG. MCM	STR.										MD4 (DIE SET)	MD5	MD6 (DIE SET)	Y34A	Y35	Y45L	Y48B	Y486RB	Y60															
		795 (1.026) 750 (.998)	37 61	5	YCAK391A-4N90	5.25	3.00	6.50	4.25	1.67	.56	342							S342	6	C342	3														
1272 (1.345)	45-7			2	YCAK521R-4N	6.34	3.00		10.59	2.255	.75	648																F49RYF-1	4	L49RYF1	4	FC69769	64			
		1272 AAC (1.300) 1351.5 AAC (1.340)	61 61	5	YCAK451A-4N90	4.88	3.00	6.15	4.69	2.13	.75	422																F49RYF	3				65			
1/0 (.398)	6-1	1/0 (.373)	7,19	4	YCA25R-2N30	2.39	.87		5.81	.62	.19	BG 243	MD3	8 W4-T W8-T	8	8 W-BG W243	8	A243	2	U243	2															
2/0 (.447)	6-1	2/0 (.419)	7,19	4	YCA26R-2N30	2.43	.97		5.91	.70	.22	245						A245	2	U245	2															
4/0 (.563)	6-7	4/0 (.528)	7,19	4	YCA28R-2N30	2.80	1.21		6.38	.88	.28	249						A249	3	U249	3															
336.4 (.684)	18-1	336.4 (.666) 350 (.678) (.681)	19 19 37,61	4	YCA321R-2N30	2.68	1.54		6.45	1.12	.41	490 705 321						A490	4	U490 U705 U321	4															
336.4 (.721) (.741)	26-7 30-7	397.5 (.724)	19	4	YCA33R-2N30	3.00	1.60		6.69	1.14	.35	316 705								U316 U705	4															
397.5 (.783) (.806) (.743)	26-7 30-7 18-1	477 (.793) (.795) (.813)	19 37 37,61	4	YCA35R-2N30	3.02	1.84		6.84	1.25	.35	317								U317	4															
556.5 (.914) (.927)	24-7 26-7			4	YCA39R-2N30	3.59	2.08		7.59	1.50	.53	608								U608	6	S608	2	C608	2	F608	2	L608	2							
795 (1.04) (1.063)	36-1 45-7			4	YCA453R-2N30	5.31	2.53		9.25	1.84	.70	292																								
715.5 (1.051)	26-7																																			
336.4 (.684)	18-1	336.4 (.666) 350 (.678) (.681)	19 19 37,61	6	YCA321RN90	2.68	1.54	4.69	2.39	1.12	.41	490 705 321								A490 A321	4	U490 U705 U321	4												FD207682	0

- NOTES:
- BARRELS PARTIALLY FILLED WITH "PENETROX" AND SEALED.
 - TONGUE COATED WITH AN OXIDE RETARDANT.
 - CAST CONNECTOR
 - FLAT SIDED BARREL
 - CRIMPS WILL OVERLAP WHEN USING Y48B, Y486RB AND Y60 HYPRESSES.
 - ALTERNATE CAT. NO. YCA50R-2N, -4N
 - TN AT THE END OF CAT. NO. INDICATES THE CONNECTOR WILL BE SUPPLIED TIN PLATED.
 - HYTOOLS MD5-3, MD5-4, MD5-7, MD5-9, MD5-12

HYLUG (ACSR AND ALUM) NEMA

CAT. NO. YCA-A-2N, 4N, YCAK-A-4N, YCAK-R-4N
YCA-R-2N, 4N, YCAK-A-4N90

DRAWN J.R.H. 12-8-69
CHECKED J.P.S. 12-10-69
DES. APPROV. M.G. 1/24/69
PROD. APPROV.

BURNDY
NORWALK, CONN. 06852

DRAWING NO. SD29515
REV. 69
SHT. 3 OF 3