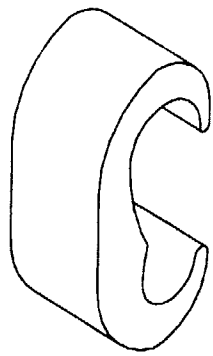
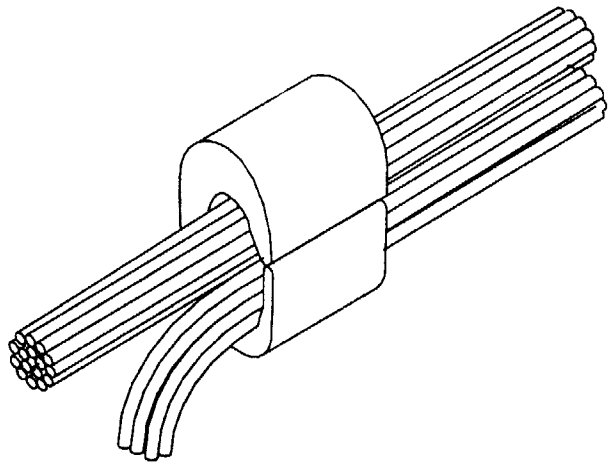


DRAWING NO.  
SE209357

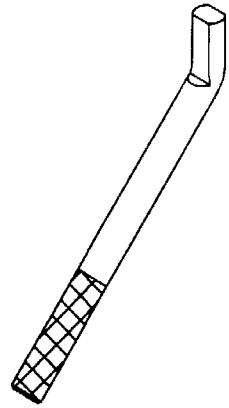
REV.	DATE	DESCRIPTION	ECO	BY	C'K'D.
2	8/27/01	MODIFIED CORPORATE IDENTIFIER	5829	PL	DB



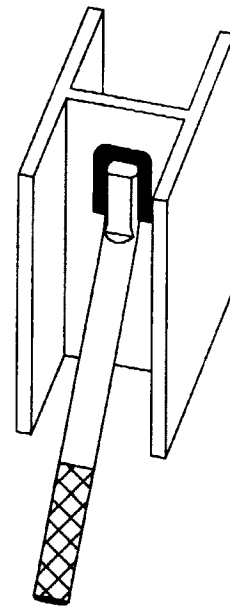
**FCI BURNDY PRODUCTS**  
 YGHC29C26  
 YGHC29C29  
 YGHC24C29  
 YGHC34C34  
**CABLE TO CABLE**



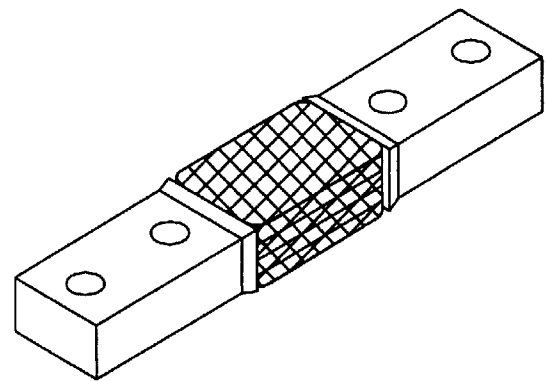
**TYPE YGHC-C APPLICATION**



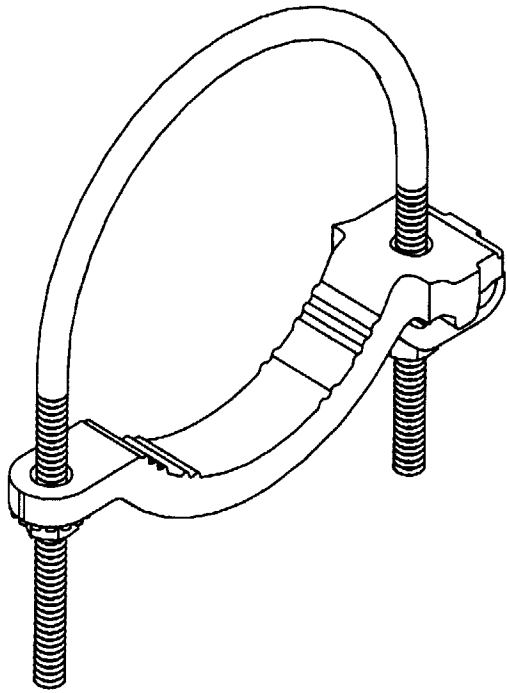
**FCI BURNDY PRODUCTS**  
**TYPE GSTUD-HY**  
**CABLE TO ROD TO STEEL**



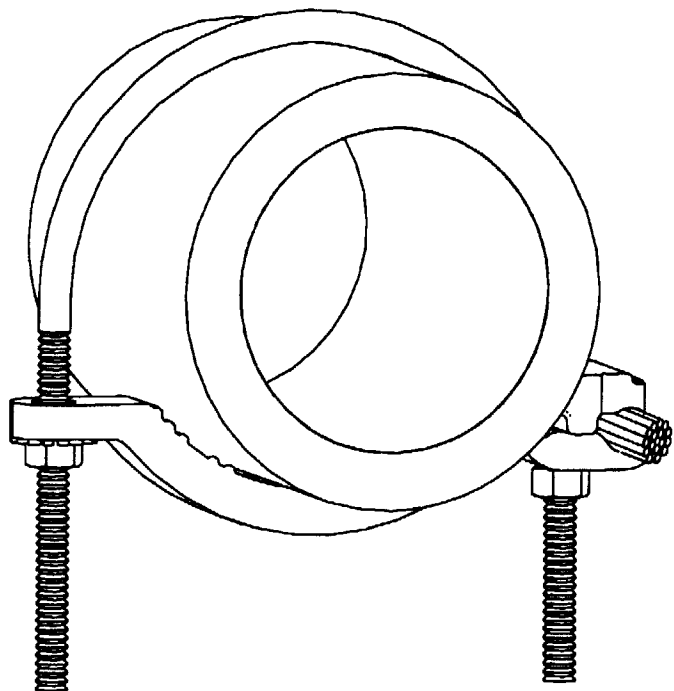
**TYPE GSTUD-HY APPLICATION**



**FCI BURNDY PRODUCTS**  
**TYPE B4G BRAID**  
**FLEXIBLE SPLICE**



**FCI BURNDY PRODUCTS**  
**TYPE GAR-BU & GAR3902**  
**CABLE TO PIPE**



**TYPE GAR-BU APPLICATION**

TO ORDER BURNDY PRODUCTS CALL 1-800-346-4175  
 MANCHESTER, NH 03109, USA  
 FOR PRODUCT INFO = <http://www.fciconnect.com>

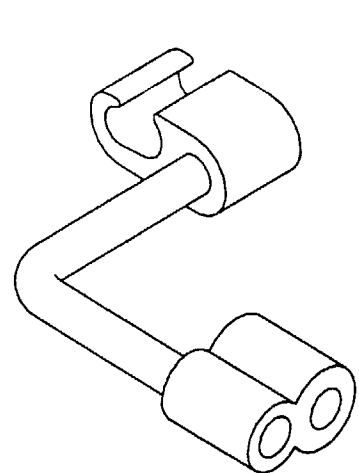
**BURNDY® GROUNDING PRODUCTS**

CAT NO.	SCALE
	N/A
DRAWN: J LARGY/D FILLION 10/26/94	CHECKED: N PRESSMAN 10/25/94
DSGN APPVL: G DITROIA 10/25/94	MFG APPVL: N/A
	S.A. APPVL: D VARIO 10/25/94
	MKTG APPVL: L HERRON 10/25/94
	CAD FILE: SE209357-01_2
	MDL REF: N/A
DRAWING NO.	REV
SE209357	2
SHEET 1 OF 4	

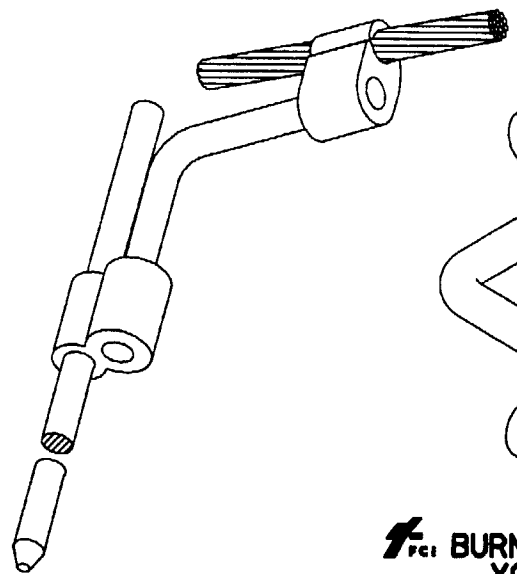
**FCI**  
 FRAMATOME GROUP  
 BURNDY • FACOM • MALCO • SAAR Products

SE209357

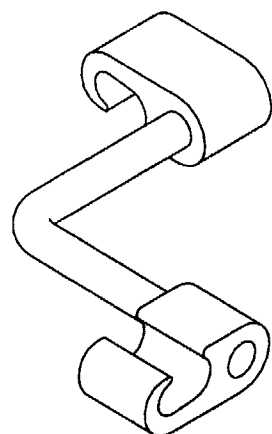
REV.	DATE	DESCRIPTION	ECO	BY	C.K'D.
2	8/27/01	MODIFIED CORPORATE IDENTIFIER	5829	PL	DB



**FCI BURNDY PRODUCTS**  
YGLR29C34  
YGLR34C34  
CABLE TO GROUND ROD

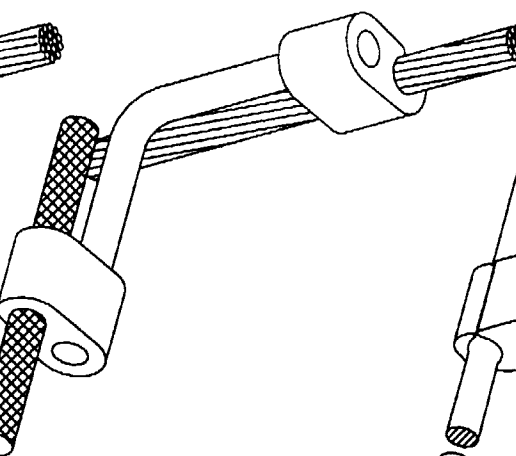
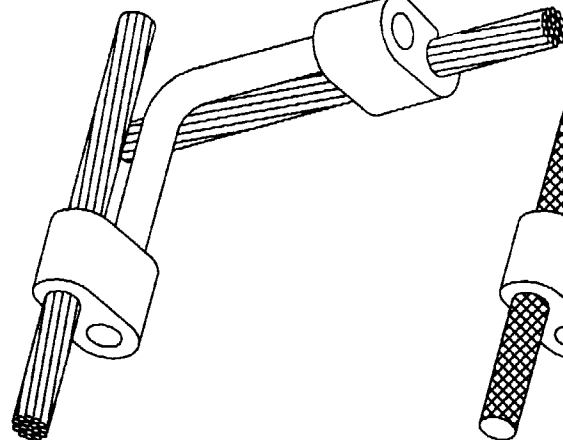


TYPE YGLR-C  
APPLICATION

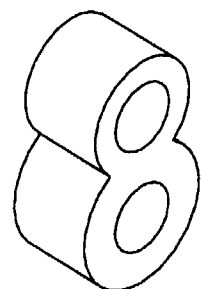
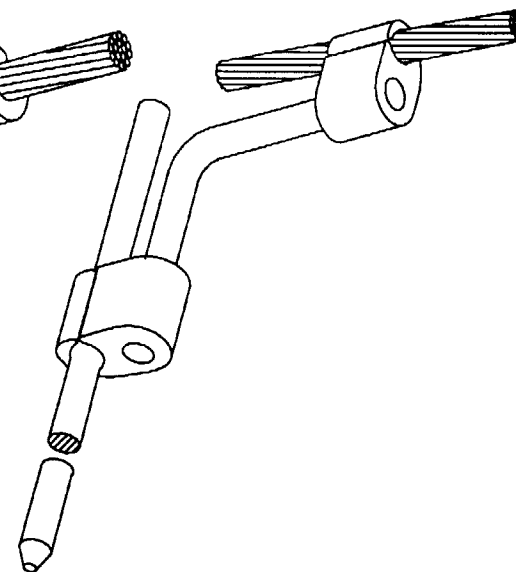


**FCI BURNDY PRODUCTS**  
YGL29C29  
YGL34C29  
YGL34C34

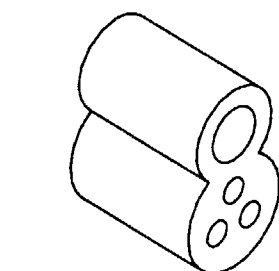
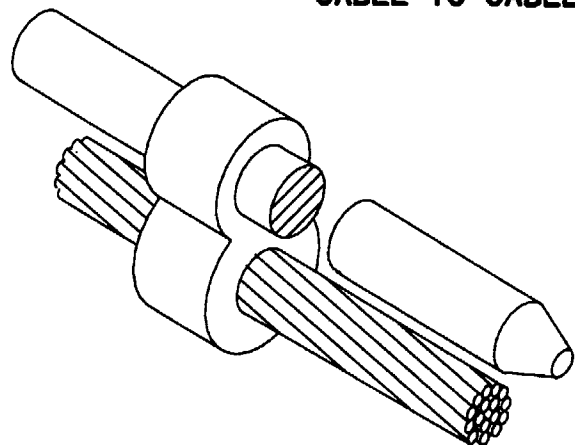
CABLE TO CABLE, ROD, OR REBAR



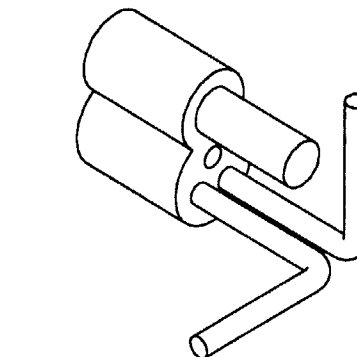
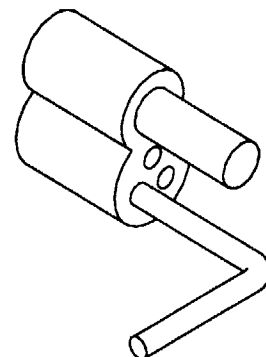
TYPE YGL-C APPLICATIONS



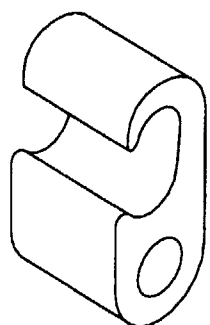
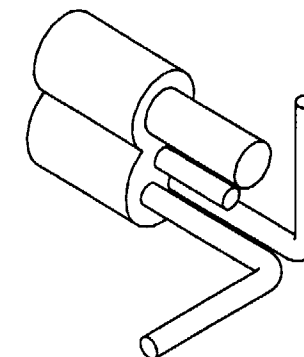
**FCI BURNDY PRODUCTS**  
YGHR26C58  
YGHR29C34  
CABLE TO ROD



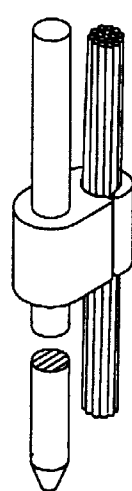
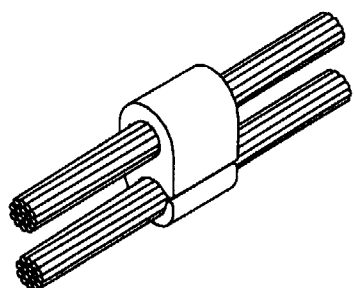
**FCI BURNDY PRODUCTS**  
TYPE YGHR\_C\_-3  
THREE CABLES TO ROD



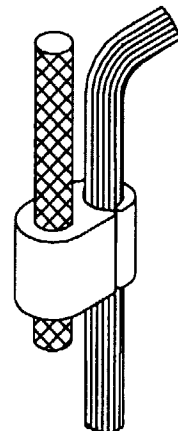
TYPE YGHR\_C\_-3 APPLICATIONS



**FCI BURNDY PRODUCTS**  
TYPE YGHP-C  
CABLE TO CABLE, ROD, OR REBAR



TYPE YGHP-C APPLICATIONS



TO ORDER BURNDY PRODUCTS CALL 1-800-346-4175  
MANCHESTER, NH 03109, USA  
FOR PRODUCT INFO = <http://www.fciconnect.com>

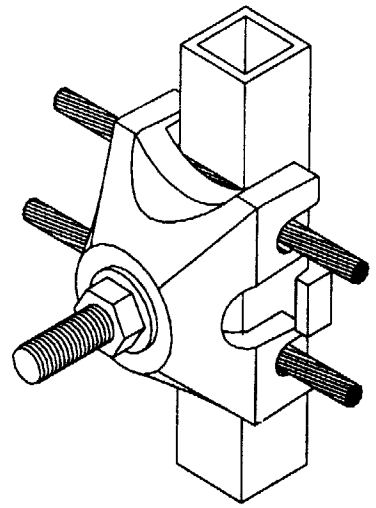
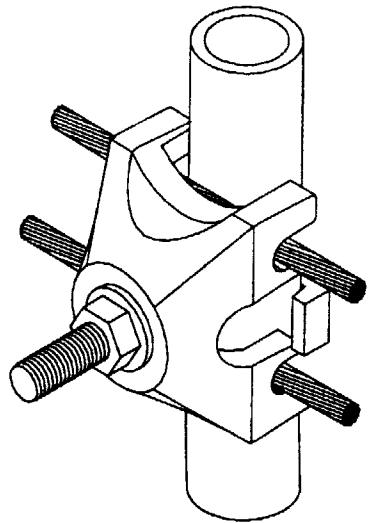
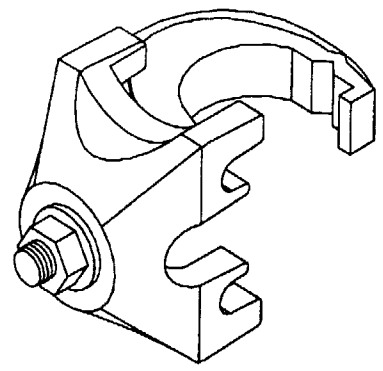
**BURNDY® GROUNDING PRODUCTS**

CAT NO.	SCALE
	N/A
DRWN: J LARGY/D FILLION 10/26/94	CHECKED: N PRESSMAN 10/25/94
DSGN APPVL: G DITROIA 10/25/94	MFG APPVL: N/A
Q.A. APPVL: D VARIO 10/25/94	PKTG APPVL: L HERRON 10/25/94
CAD FILE: SE209357-02_2	
MDL REF: N/A	
DRAWING NO.	REV
SE209357	2
SHEET 2 OF 4	

**FCI**  
FRAMATOME GROUP  
BURNDY • PACOR • MALCO • SAAR Products

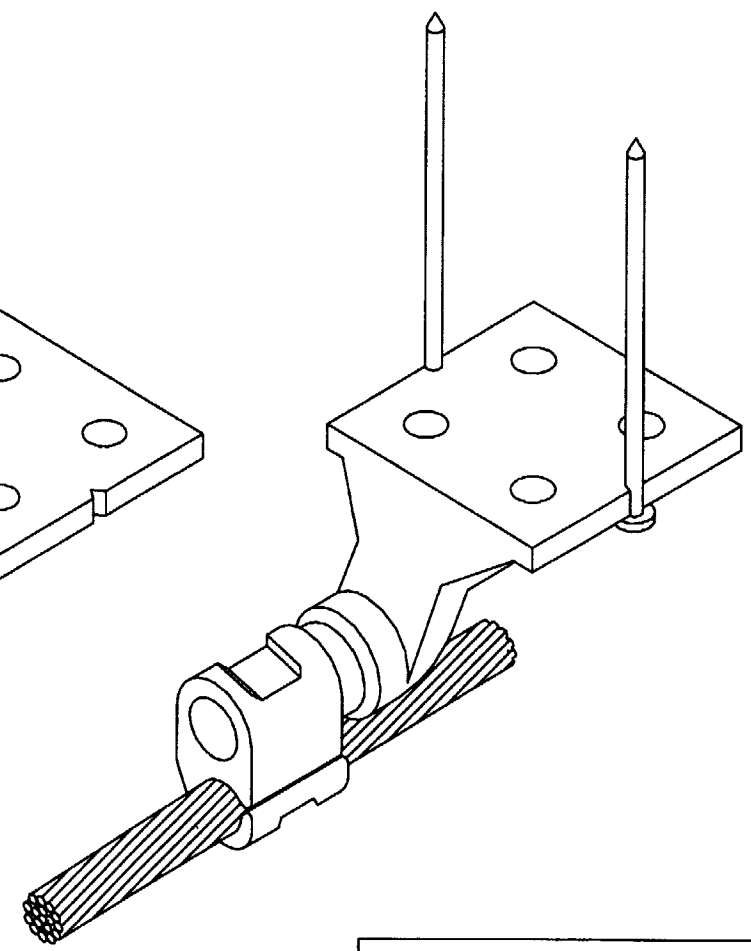
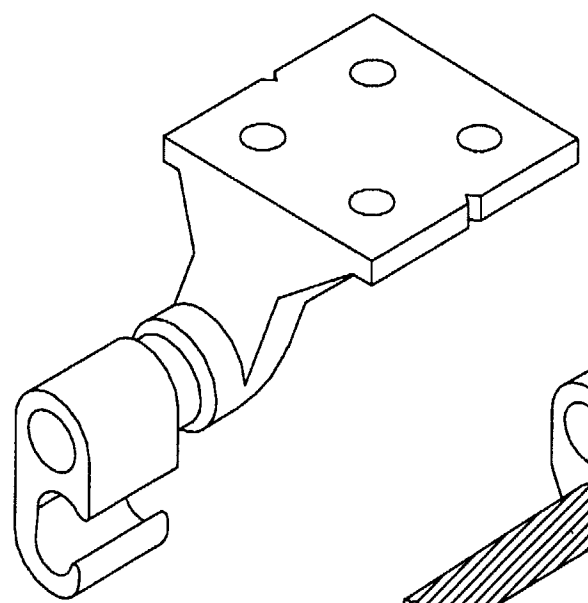
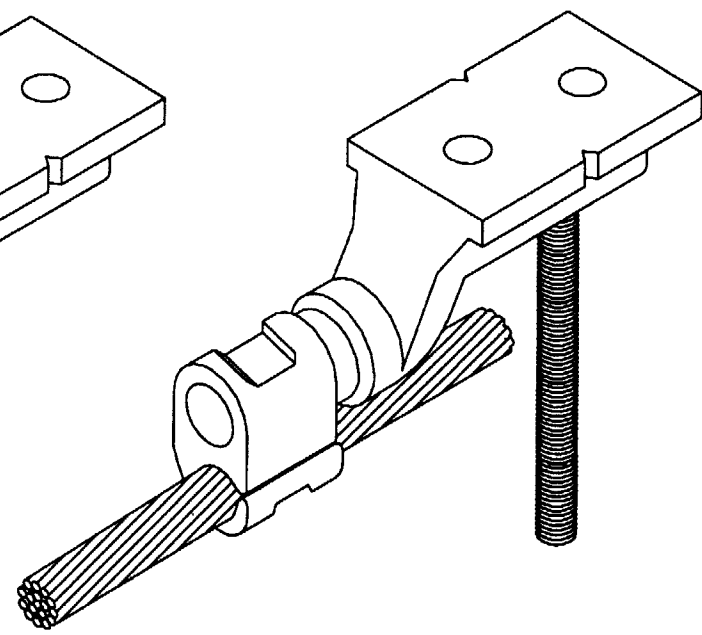
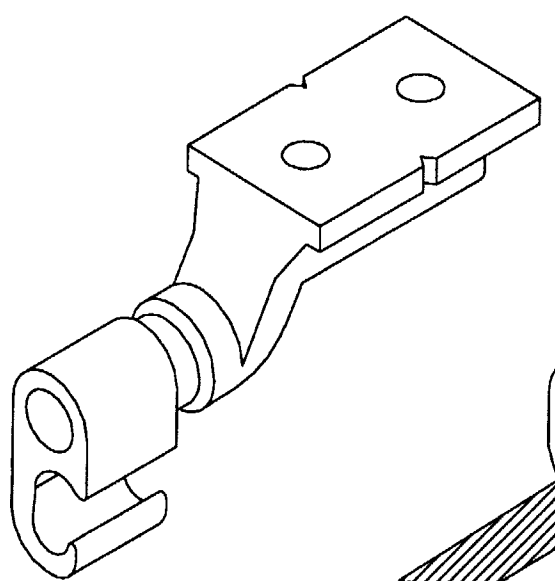
DRAWING NO.  
SE209357

REV.	DATE	DESCRIPTION	ECO	BY	C.K'D.
1	8/27/01	MODIFIED CORPORATE IDENTIFIER	5829	PL	DB



**FCI BURNDY PRODUCTS**  
**TYPE GRF4C-3**  
**CABLE TO RASIED FLOOR PEDASTALS**

**TYPE GRF4C-3 APPLICATIONS**



**FCI BURNDY PRODUCTS**  
**TYPE YGF**  
**CABLE TO TERMINAL OR TAP WITH NAIL TO FORM**  
**OR ALL THREAD LEVELING BUILT IN**

**TYPE YGF APPLICATIONS**

TO ORDER BURNDY PRODUCTS CALL 1-800-346-4175  
MANCHESTER, NH 03109, USA  
FOR PRODUCT INFO = <http://www.fciconnect.com>

**BURNDY® GROUNDING PRODUCTS**

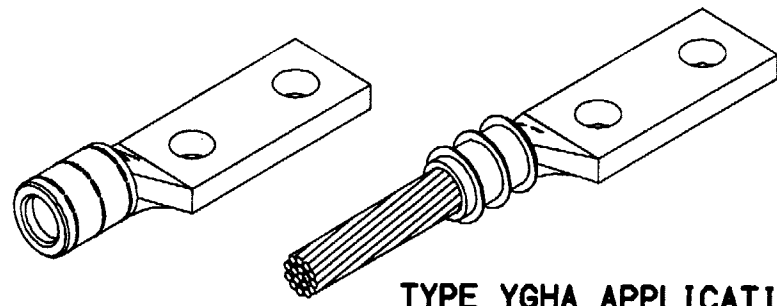
CAT NO.	SCALE
DRWN: J LARGY/D FILLION 10/26/94	CHECKED: N PRESSMAN 10/25/94
DSGN APPVL: G DITROIA 10/25/94	MFG APPVL: N/A
Q.A. APPVL: D VARIO 10/25/94	MKTG APPVL: L HERRON 10/25/94
CAD FILE: SE209357-03_1	
MOL REF: N/A	
DRAWING NO.	REV
SE209357	1
SHEET 3 OF 4	



REV: 01.2000

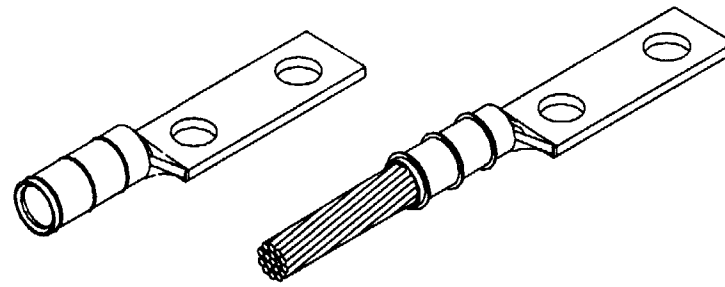
DRAWING NO.  
SE209357

REV.	DATE	DESCRIPTION	ECO	BY	C'K'D.
2	8/27/01	MODIFIED CORPORATE IDENTIFIER	5829	PL	DB



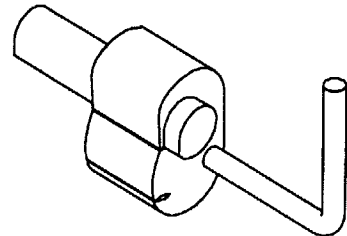
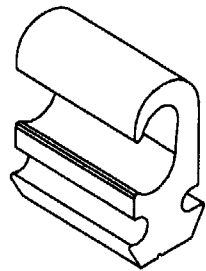
TYPE YGHA APPLICATION

**FCI BURNDY PRODUCTS**  
YGHA29-2N  
YGHA34-2N  
CABLE TERMINAL HEAVY DUTY



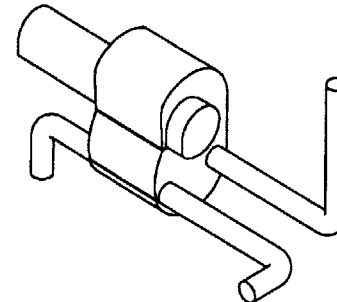
TYPE YGA APPLICATION

**FCI BURNDY PRODUCTS**  
TYPE YGA  
CABLE TERMINAL

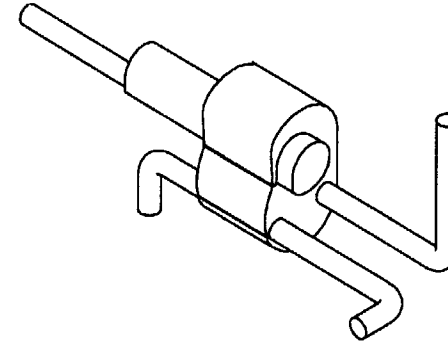


SINGLE TAP

**FCI BURNDY PRODUCTS**  
YGHP58C2W-2

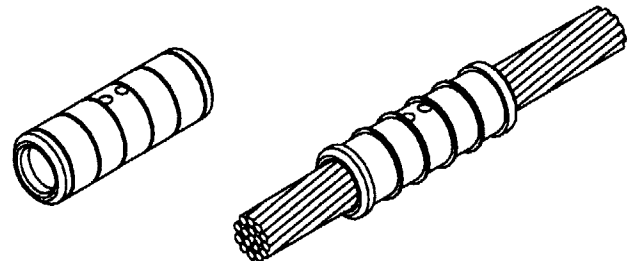


CONTINUOUS RUN



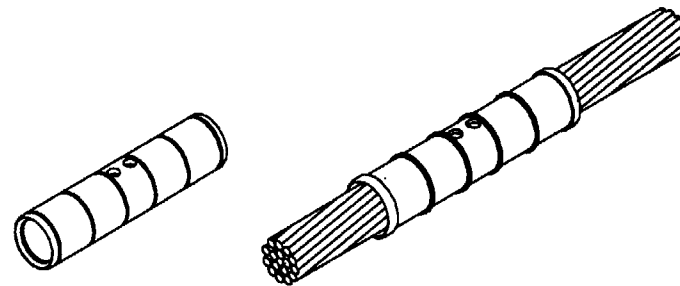
CONTINUOUS RUN AND TAP

YGHP58C2W-2 APPLICATIONS



TYPE YGHS APPLICATION

**FCI BURNDY PRODUCTS**  
TYPE YGHS  
CABLE SPLICE HEAVY DUTY



TYPE YGS APPLICATION

**FCI BURNDY PRODUCTS**  
TYPE YGS  
CABLE SPLICE

TO ORDER BURNDY PRODUCTS CALL 1-800-346-4175  
MANCHESTER, NH 03109, USA  
FOR PRODUCT INFO = <http://www.fciconnect.com>

**BURNDY® GROUNDING PRODUCTS**

CAT NO.	SCALE
	N/A
DRAWN: J LARGY/D FILLION 10/26/94	CHECKED: N PRESSMAN 10/25/94
DSGN APPVL: G DITROIA 10/25/94	MFG APPVL: N/A
Q.A. APPVL: D VARIO 10/25/94	
MKTG APPVL: L HERRON 10/25/94	
CAD FILE: SE209357-04_2	
MDL REF: N/A	
DRAWING NO.	REV
SE209357	2
SHEET 4 OF 4	

**FCI**  
FRAMATOME GROUP  
BURNDY • RACINE • MALICO • SAAB Products

REV. 012000